

THIS DRAWING AND SPECIFICATIONS HEREAFTER ARE THE PROPERTY OF DIGITAL EQUIPMENT CORPORATION AND SHALL NOT BE REPRODUCED OR COPIED OR USED IN WHOLE OR IN PART AS THE BASIS FOR THE MANUFACTURE OR SALE OF ITEMS WITHOUT WRITTEN PERMISSION FROM DIGITAL EQUIPMENT CORPORATION

NOTES:

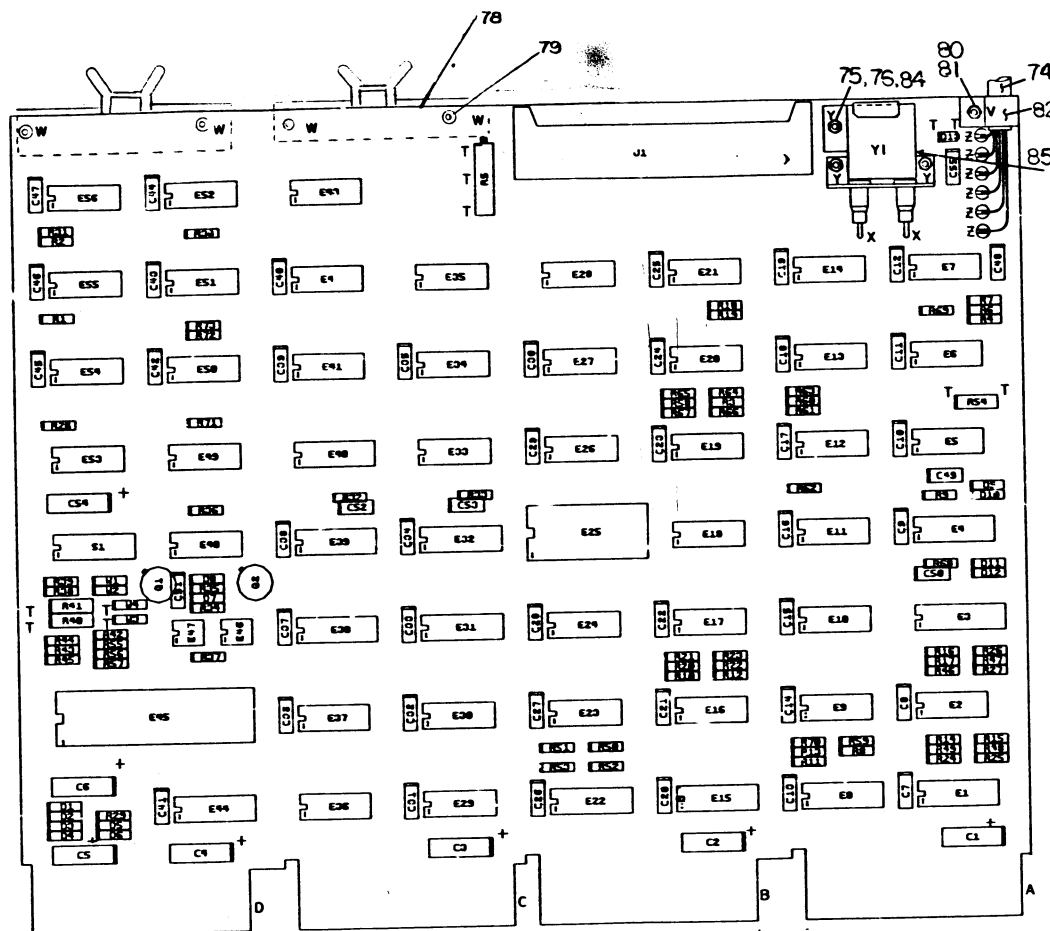
- 1. STOP BIT SELECTION NORMALLY SHIPPED WITH SWITCH OPEN.
- 2. NORMALLY SHIPPED WITH SWITCH OPEN.
- 3. NORMALLY SHIPPED WITH SWITCH CLOSED.
- 4. W1 THRU W4 ARE MACHINE INSERTED JUMPERS, THEY ARE IN FOR ACTIVE TRANSMIT & RECEIVE AND ARE REMOVED FOR PASSIVE OPERATION. 5-4 AND 5-5 COMPLETE THE PASSIVE CONFIGURATION WHEN CLOSED.
- 5. THIS MODULE MUST BE SHIPPED WITH A SERIALIZATION TAG ATTACHED TO THE 2 SIDE OF THE MODULE.

D

C

B

A



IC TYPE GND +5V

GND AND 5V ARE USUALLY PIN 7 AND 14
RESPECTIVELY EXCEPTIONS ARE STATED ABOVE

IC PIN LOCATIONS

REF. DESIGNATION DESCRIPTION PART NO. QTY ITEM NO.

ETCH BOARD REV. D PARTS LIST

DATE 5/15/74
DATE 6/11/74
DATE 6/27/74
DATE 7/17/74

digital
TITLE
PROGRAMMABLE
MODULE

SIZE CODE NUMBER REV.
DCS M7341-0-1 E

SCALE NONE SHEET 1 OF 6

SEMICONDUCTOR CONVERSION CHART

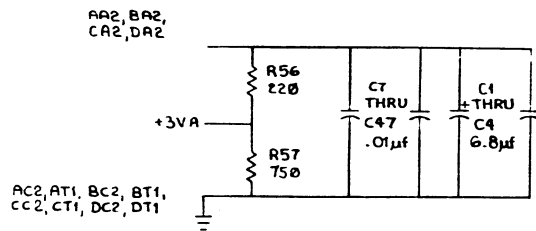
DEC NO. EIA NO. DEC NO. EIA NO.

THIS DRAWING AND SPECIFICATIONS, HEREIN, ARE THE PROPERTY OF DIGITAL EQUIPMENT CORPORATION AND ALL NOT BE REPRODUCED OR COPIED OR USED IN WHOLE OR IN PART AS THE BASIS FOR THE MANUFACTURE OR SALE OF ITEMS WITHOUT WRITTEN PERMISSION FROM DIGITAL EQUIPMENT CORPORATION.

NOTES:

DEC 8008-1	-	10		1
DEC 74175	8	16		
DEC UART	3	1	2	
DEC 74123	8	16		
DEC 7442	8	16		
DEC 74153	8	16		
DEC 74154	12	24		
DEC 384	1	8		
DEC 7490	10	5		
DEC 7492	10	5		
DEC 7473	11	4		
IC TYPE	GND	+5V	-12V	-9V

D AND 5V ARE USUALLY PIN 7 AND 14
ACTIVELY EXCEPTIONS ARE STATED ABOVE



QTY	REF	DESIGNATION	DESCRIPTION	PART NO.	ITEM NO.	DESCRIPTION	PART NO.	ITEM NO.
2	E12, E19	I.C. DEC 7417		1909929	53	REF		
3	E8, E11, E18	I.C. DEC 384		1909408	54	REF		
3	E13, E36, E60	I.C. DEC 7404		1909606	55	REF		
7	E2, E9, E10, E16, E17, E23, E24	I.C. DEC 8881		1909705	56			
1	E54	I.C. DEC 8815		1909713	57	1	C49	X-Y COORDINATE HOLE LOCATION
1	E25	I.C. DEC 74154		1909701	58	1	C55	ASSY/DRILLING HOLE LAYOUT
4	E1, E8, E15, E22	I.C. DEC 74153		1909937	59	2	C52, C53	MODULE ECO HISTORY
2	E40, E44	I.C. DEC 7442		1910046	60	42	C7 THRU C48	ETCHED CIRCUIT BD.
2	E27, E55	I.C. DEC 7409		1910155	61	1	C51	CAP 10 PF 100V 5% DM
1	E4	I.C. DEC 74123		1910436	62	8	C1 THRU C8	CAP 270 PF 100V 5% DM
1	E45	I.C. DEC UART		1910459	63	1	C50	CAP 1000 PF 100V 5% DM
4	E31, E32, E38, E39	I.C. DEC 74175		1910651	64	1	C54	CAP .01 WFD 100V 20% DISC
2	E48, E47	I.C. DEC C.C.I.		1911998	65	1	D5	CAP .005 WFD 100V 20% DISC
1	E35	I.C. DEC 7427		1910878	66	1	D6	CAP 6.8 WFD 35V 10% TANT
1	E7	I.C. DEC MC4024P		1911038	67	2	D7, D8	CAP 39 PF 100V 5% DM
1	E42	I.C. DEC 7414		1911324	68	8	D1 THRU D4, D9 THRU D12	CAP .68 WFD 35V 10% TANT
1	E3	I.C. DEC 8008-1		2111644	69	1	D13	DIODE 1N748A 3.9VZ
6		SPLIT LUG		9006735	70	1	S1	DIODE 1N751A 5.1VZ
1		CRYSTAL HOLDER BRKT		5303154	71	1		DIODE (LIGHT EMITTING) MV5054-1
2		CRYSTAL SOCKET		1202812	72	1	J1	SW, PKR DIP PACKAGE W/B SW
1		REAR SUPPORT BRKT		5302825	73	1	(E3)	SW, PKR COVER
1		HARNES (M7341)		7009942-0-0	74	1	R29	50 PIN HEADER
3		SCREW, PH PAN HD #2-56 X 1/4		9006001-1	75	1	R54	I.C. SOCKET
3		NUT, HEX #2-56		9006555	76			RES. 120 OHM 1/4W 5%
4	B1 THRU B4	INSULATED JUMPER		9009185	77	13	R56, R72	RES. 10 OHM 1/2W 5%
2		HANDLE, FLIP CHIP, MAGENTA		9008337-06	78	2	R32, R33	RES. 220 OHM 1/4W 5%
4		EYELET, HANDLE 654-7		9006732	79	2	R40, R41	RES. 47 OHM 1/4W 5%
1		SCREW, BINDING HD #6-32 X 5/16		9006021-4	80	31	R1, R2, R3, R8, R18, R20-R27, R30, R31, R42 THRU R53, R55, R59, R70, R71	RES. 560 OHM 1/2W 5%
1		NUT, KEP #6-32		9006560	81			RES. 1K 1/4W 5%
1		3/16 ID CABLE RESTRAIN		9007080	82	3	R38, R39, R62	RES. 100 OHM 1/4W 5%
A/R		WIRE, 30AWG BUS INSULATED		9105740-55	83	2	R57, R73	RES. 750 OHM 1/4W 5%
A/R		TUBING, SHRINK		9107249	84	1	R34	RES. 15 OHM 1/4W 10%
1	R7	470 OHM 1/4W 5%		1300316	85	1	R35	RES. 7.5K 1/4W 5%
					86	1	R6	RES. 6.8K 1/4W 5%
					87	1	R37	RES. 680 OHM 1/4W 5%
					88	1	R68	RES. 10K 1/4W 5%
					89	1	R28	RES. 30K 1/4W 5%
					90	1	R5	RES. 10K 3/4W 10% POT
					91	2	R58, R19	RES. 300 OHM 1/4W 5%
					92	10	R4, R9, R10 THRU R17	RES. 5.6K 1/4W 5%
					93	8	R60 THRU R67	RES. 1.6K 1/4W 5%
					94	1	Q1	TRANS DEC 6534C
					95	1	Q2	TRANS DEC 6531B
					96	1	Y1	CRYSTAL 844.800 HZ
					97	3	E29, E30, E37	I.C. DEC 74504
					98	5	E14, E28, E34, E51, E5	I.C. DEC 7474
					99	4	E20, E41, E43, E56	I.C. DEC 7480
					100	1	E52	I.C. DEC 7428
					101	1	E21	I.C. DEC 7410
					102	1	E4B	I.C. DEC 7473
					103	2	E26, E33	I.C. DEC 7482
					104	1	E49	I.C. DEC 7482
					105	1	E53	I.C. DEC 7490

FIRST USED ON OPTION MODEL

DATE 5/15/74

CHKD. E. Brasley

ENG. J. P. G. DATE 5/15/74

PROJ. ENG. DATE 5/15/74

PROD. DATE 5/15/74

NEXT HIGHER ASSY

digital EQUIPMENT CORPORATION
PROGRAMMABLE MODULE

SCALE NONE

SHEET 2 OF 6

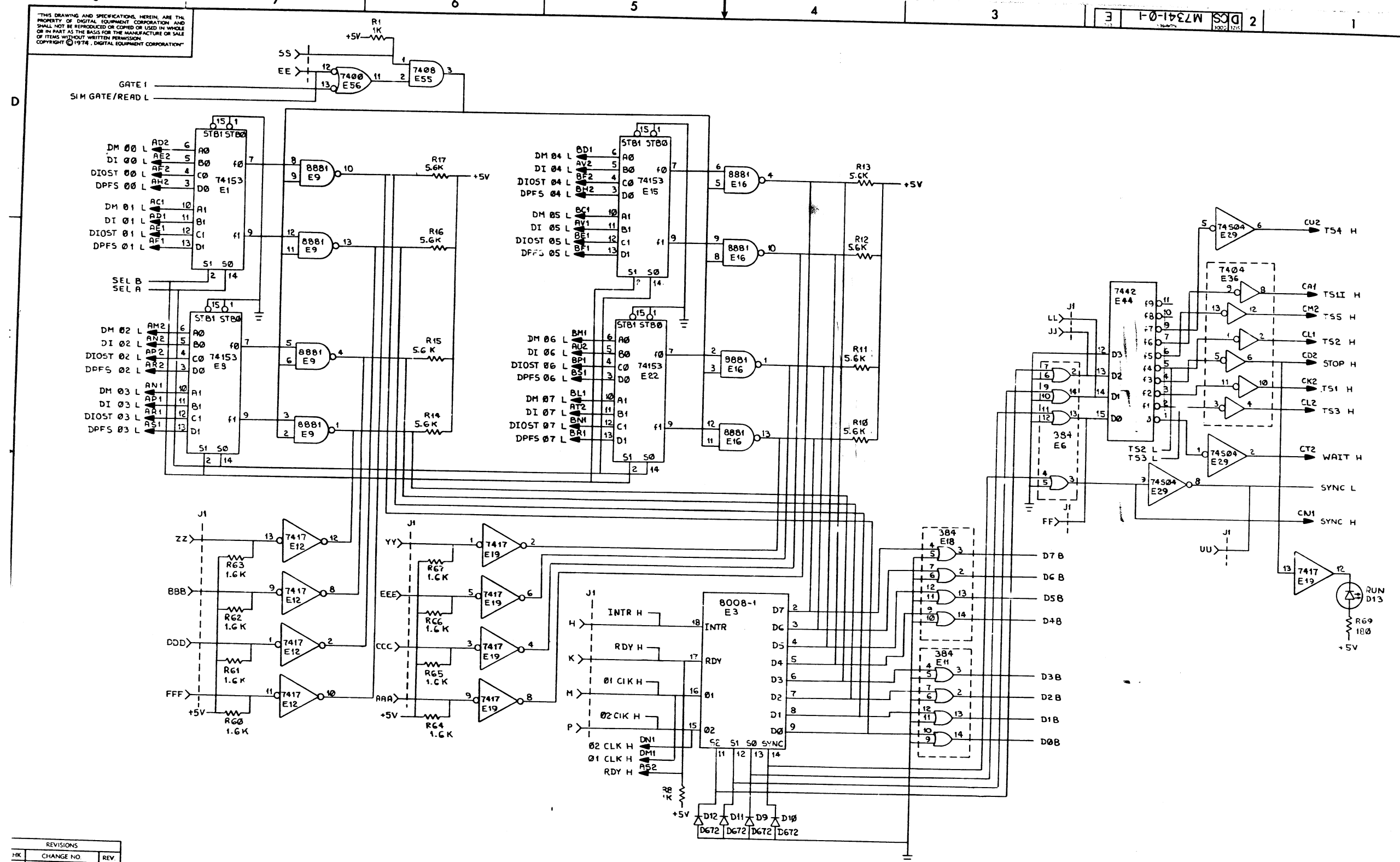
DEC NO. EIA NO. DEC NO. EIA NO.

SEMICONDUCTOR CONVERSION CHART

SIZE CODE DCS M7341-0-1

REV. E

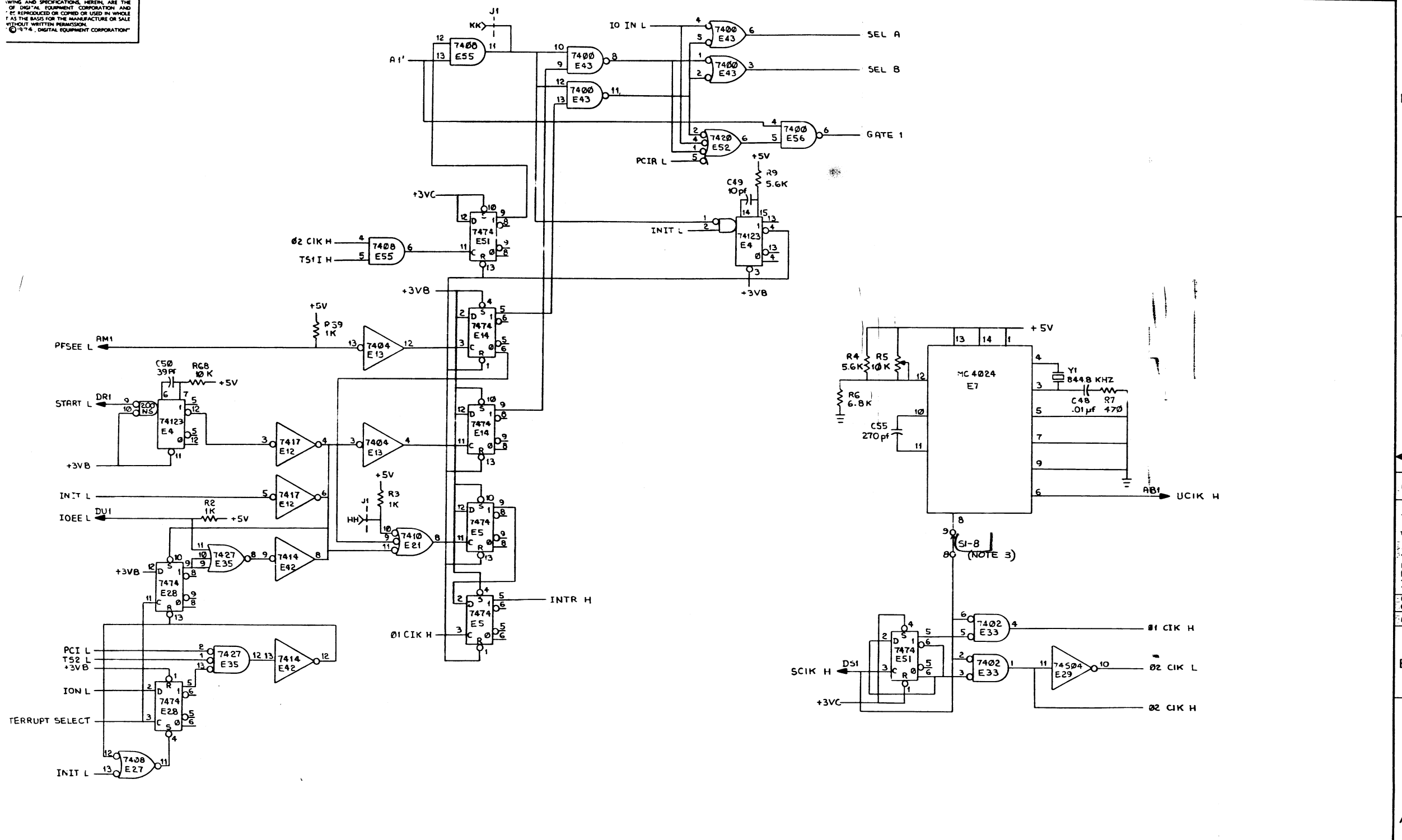
THIS DRAWING AND SPECIFICATIONS, HEREIN, ARE THE PROPERTY OF DIGITAL EQUIPMENT CORPORATION AND SHALL NOT BE REPRODUCED OR COPIED OR USED IN WHOLE OR IN PART AS THE BASIS FOR THE MANUFACTURE OR SALE OF ITEMS WITHOUT WRITTEN PERMISSION. COPYRIGHT © 1974, DIGITAL EQUIPMENT CORPORATION.



REVISIONS		
HK	CHANGE NO.	REV.

DRAWING AND SPECIFICATIONS HEREIN ARE THE PROPERTY OF DIGITAL EQUIPMENT CORPORATION AND ARE NOT TO BE REPRODUCED OR COPIED OR USED IN WHOLE OR IN PART AS THE BASIS FOR THE MANUFACTURE OR SALE OF ANY EQUIPMENT WITHOUT WRITTEN PERMISSION FROM DIGITAL EQUIPMENT CORPORATION.

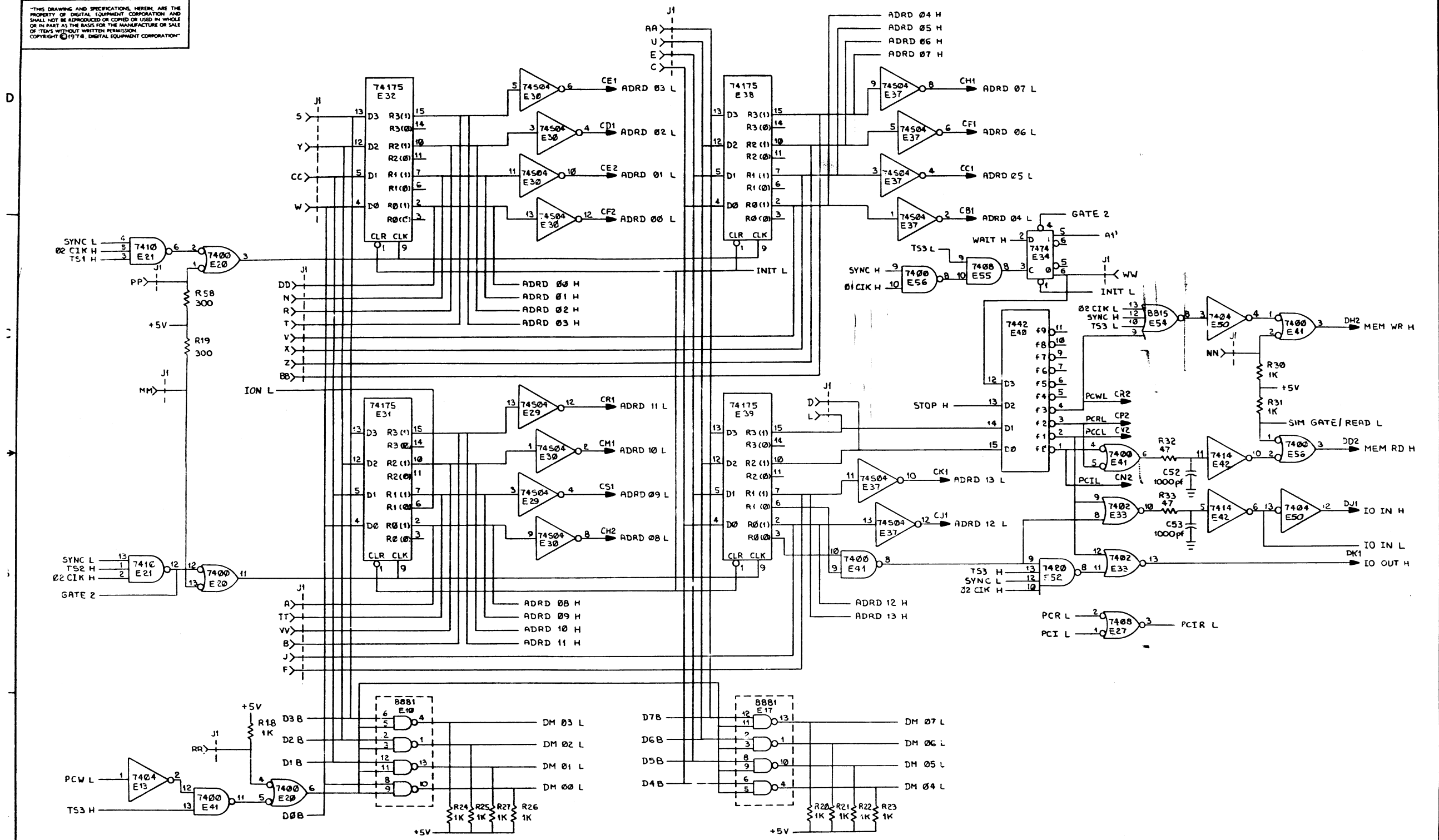
3 1-0-142W DCS M7341-0-1



VISIONS	ENGR. NO.	REV.

TITLE	PROGRAMMABLE MODULE	SIZE CODE	D CS	NUMBER	M7341-0-1	REV.	E
SCALE	NONE	SHEET	4	OF	6	DIST.	

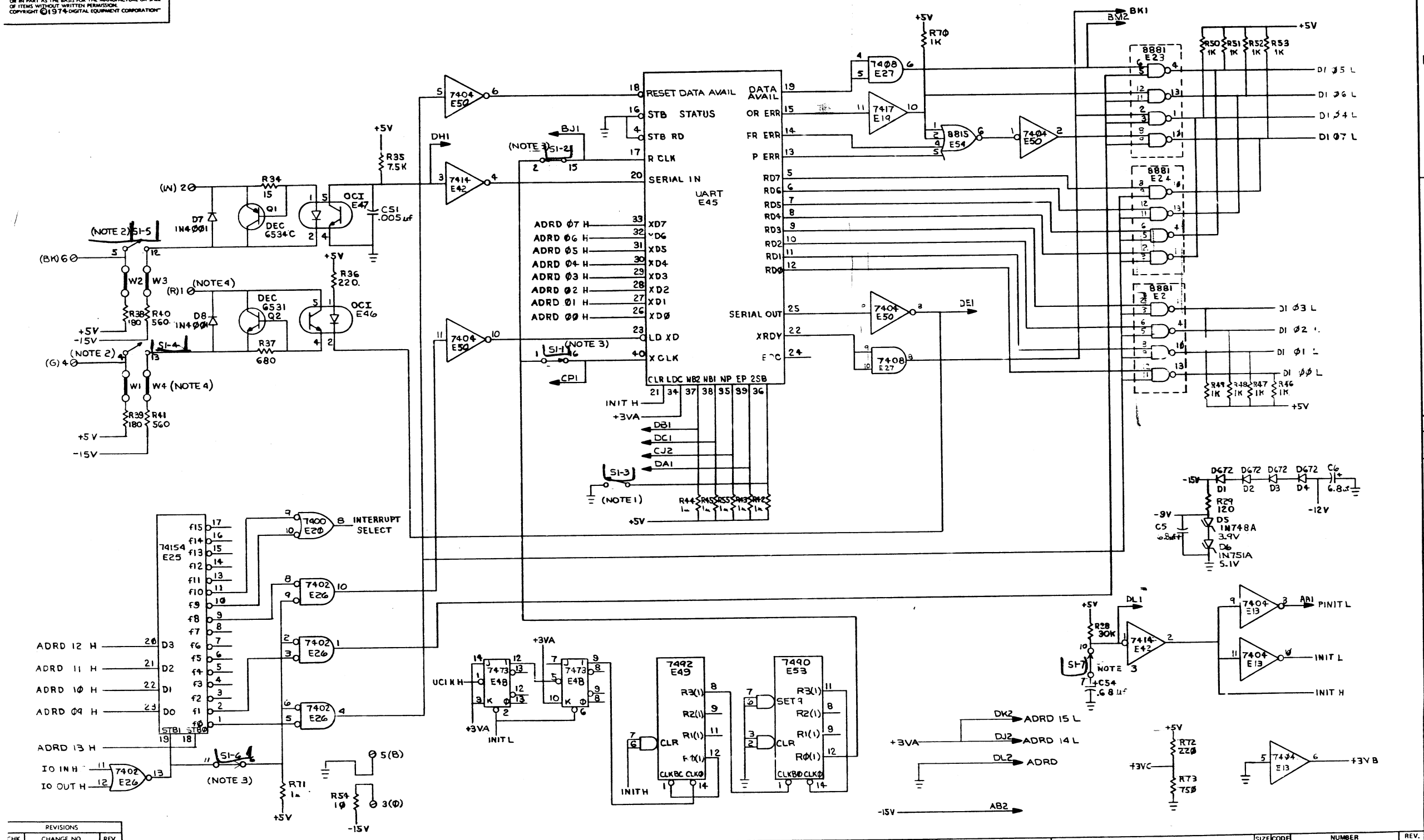
"THIS DRAWING AND SPECIFICATIONS, HEREIN, ARE THE PROPERTY OF DIGITAL EQUIPMENT CORPORATION AND SHALL NOT BE REPRODUCED OR COPIED OR USED IN WHOLE OR IN PART AS THE BASIS FOR THE MANUFACTURE OR SALE OF ITEMS WITHOUT WRITTEN PERMISSION. COPYRIGHT © 1974, DIGITAL EQUIPMENT CORPORATION"



REVISIONS		
CHK	CHANGE NO	REV

TITLE	PROGRAMMABLE MODULE	SIZE CODE	D CS	NUMBER	M7341-0-1	REV.	E
SCALE	NONE	SHEET	5 OF 6	DIST.			

"THIS DRAWING AND SPECIFICATIONS, HEREIN, ARE THE PROPERTY OF DIGITAL EQUIPMENT CORPORATION AND SHALL NOT BE REPRODUCED OR COPIED OR USED IN WHOLE OR IN PART AS THE BASIS FOR THE MANUFACTURE OR SALE OF ITEMS WITHOUT WRITTEN PERMISSION. COPYRIGHT © 1974 DIGITAL EQUIPMENT CORPORATION"



REVISIONS		
CHK	CHANGE NO.	REV.

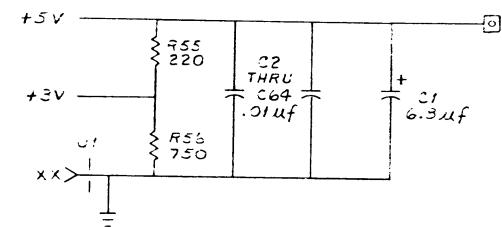
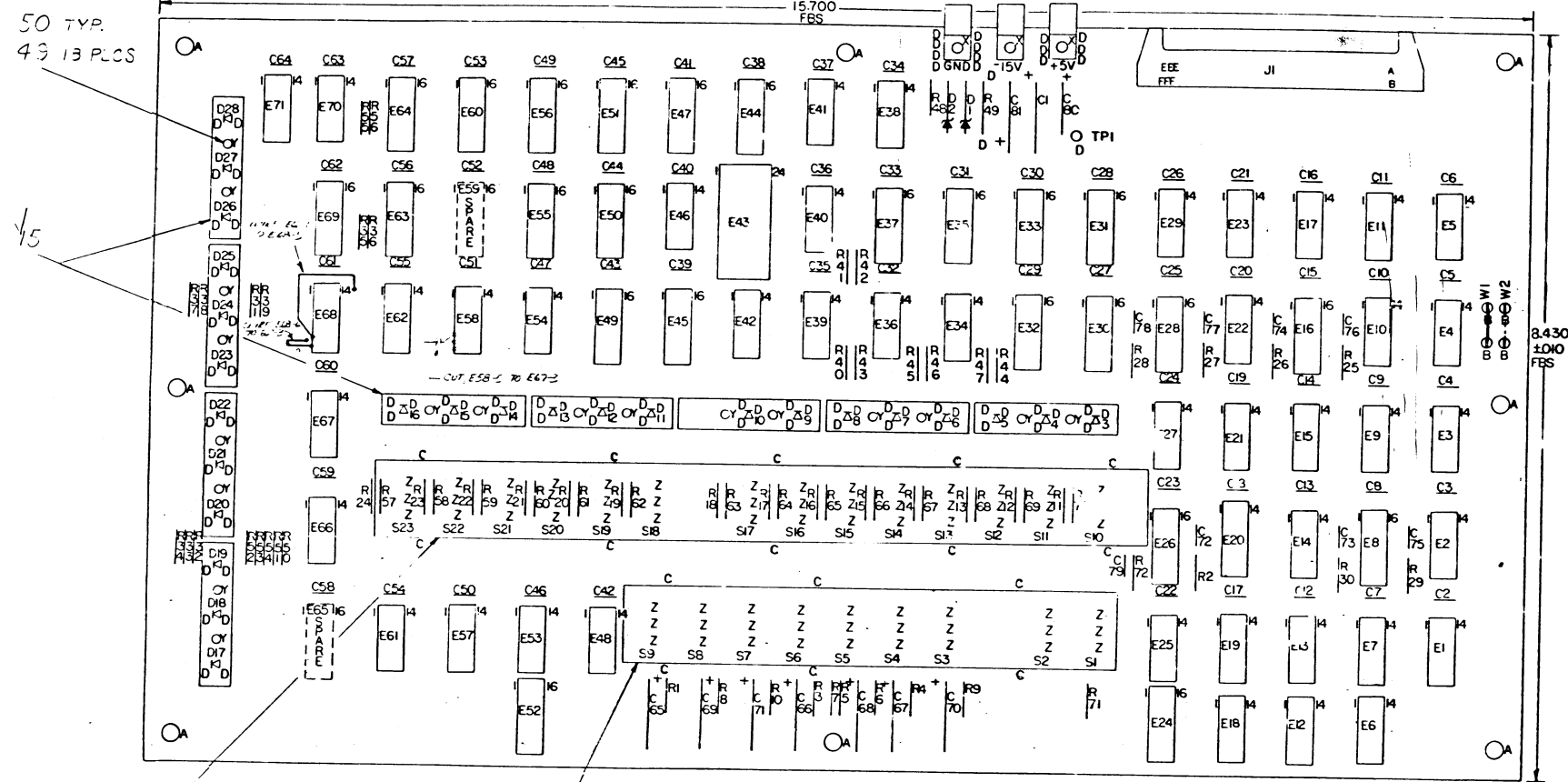
TITLE	PROGRAMMABLE MODULE	DCS	M7341-0-1	SIZE CODE	NUMBER	REV.
SCALE	NONE	SHEET	6 OF 6	DIST.		

8
DRAWING AND SPECIFICATIONS HEREIN ARE THE PROPERTY OF DIGITAL EQUIPMENT CORPORATION AND SHALL NOT BE REPRODUCED OR COPIED OR USED IN WHOLE OR IN PART AS THE BASIS FOR THE MANUFACTURE OR SALE OF ANY EQUIPMENT WITHOUT WRITTEN PERMISSION FROM DIGITAL EQUIPMENT CORPORATION.

7
NOTES:
1. JUMPER W2 IS OPTIONAL DO NOT INSERT.

4	SPLIT LUG	9006735	53	REF
1	SUPPORT SWITCH	7409270-03	54	REF
1	SUPPORT SWITCH	7409270-04	55	REF
1	W1	9107560-01	56	1
14	R11 THRU R2	RES. 390 1/4 W 5%	57	83
1	E14	I.C. DEC 7406	58	2
18	WASHER, NYLON	9009263	59	8
2	BUS WIRE, 30 INS	9105747-55	60	7

1	X-Y COORDINATE HOLE LOCATION	K-CO-M7342-0-4	1
2	ASSY/DRILLING HOLE LAYOUT	D-AH-M7342-0-5	2
3	MODULE ECO HISTORY	B-WH-M7342-0-6	3
4	ETCHED CIRCUIT BOARD	5010889	4
5	CAP. .01 UF 100V 20% DISC	1001610-01	5
6	CAP 6.8 UF 35V 10% TANT	1005306	6
7	CAP. 18 PF 100V 5% OM	1002608	7
8	CAP. 10 UF 20V 10% TANT	1004813	8
9	CAP. 68 UF 35V 10% TANT	1009964	9
10	DIODE ZENER IN748A 3.9V	1100122	10
11	DIODE ZENER IN751A 5.1V	1110994	11
12	DIODE (LIGHT EMITTING)	1110264	12
13	SWITCH (TOGGLE, MOMENTARY)	1210841	13
14	SWITCH (ALTERNATE)	1210840	14
15	HOLDER (LED, TRIPLE)	1210940-2	15
16	HANDLE (SWITCH)	1210786	16
17	CONNECTOR (50 PIN 3M)	1211663	17
18	SOCKET (24 PIN)	1210693	18
19	SOCKET (46 PIN)	1210025	19
20	RES. 180 1/4 W 5%	1301322	20
21	RES. 1K 1/4 W 5%	1300365	21
22	RES. 10K 1/4 W 5%	1300479	22
23	RES. 120 1/2 W 5%	1300243	23
24	RES. 30K 1/4 W 5%	1302394	24
25	RES. 220 1/4 W 5%	1300271	25
26	RES. 750 1/4 W 5%	1301401	26
27	RES. 470 1/4 W 5%	1300316	27
28	RES. 47 1/4 W 5%	1300202	28
29	I.C. DEC 384	1909486	29
30	I.C. DEC 7400	1905575	30
31	I.C. DEC 7401	1905590	31
32	I.C. DEC 7404	1909686	32
33	I.C. DEC 7405	1909930	33
34	I.C. DEC 7408	1910155	34
35	I.C. DEC 7410	1905576	35
36	I.C. DEC 7414	1911324	36
37	I.C. DEC 7417	1909929	37
38	I.C. DEC 7474	1905547	38
39	I.C. DEC 7489	1910396	39
40	I.C. DEC 8234	1911315	40
41	I.C. DEC 8815	1909713	41
42	I.C. DEC 1702A	23081A4	42
43	I.C. DEC 74H11	1909267	43
44	I.C. DEC 74H21	1909058	44
45	I.C. DEC 74123	1910436	45
46	I.C. DEC 74145	1910047	46
47	I.C. DEC 74153	1909937	47
48	I.C. DEC 74193	1910018	48
49	HEX NUT 2-55	9005555	49
50	SCREW, PAN HEAD 2-55 X 1/8 LG	9009027-1	50
51	TAB, FASTON	9007112	51
52	EYELET, TAB	9009000	52



DEC 3234	3	16
DEC 74193	3	16
DEC 74153	3	16
DEC 74195	3	16
DEC 74123	3	16
DEC 7489	3	16
IC TYPE	GND	+5V

AND 5V ARE USUALLY PIN 7 AND 14
VELOCITY EXCEPTIONS ARE STATED ABOVE

IC PIN LOCATIONS

FIRST USED ON OPTION MODEL

ETCH BOARD REV C

DRN: DATE 12/26/74
CHKD: DATE 1/15/75
ENG: DATE 1/14/75
PROJ. ENG: DATE 1/14/75
PROD. DATE 1/14/75
NEXT HIGHCH ASSY

digital EQUIPMENT CORPORATION

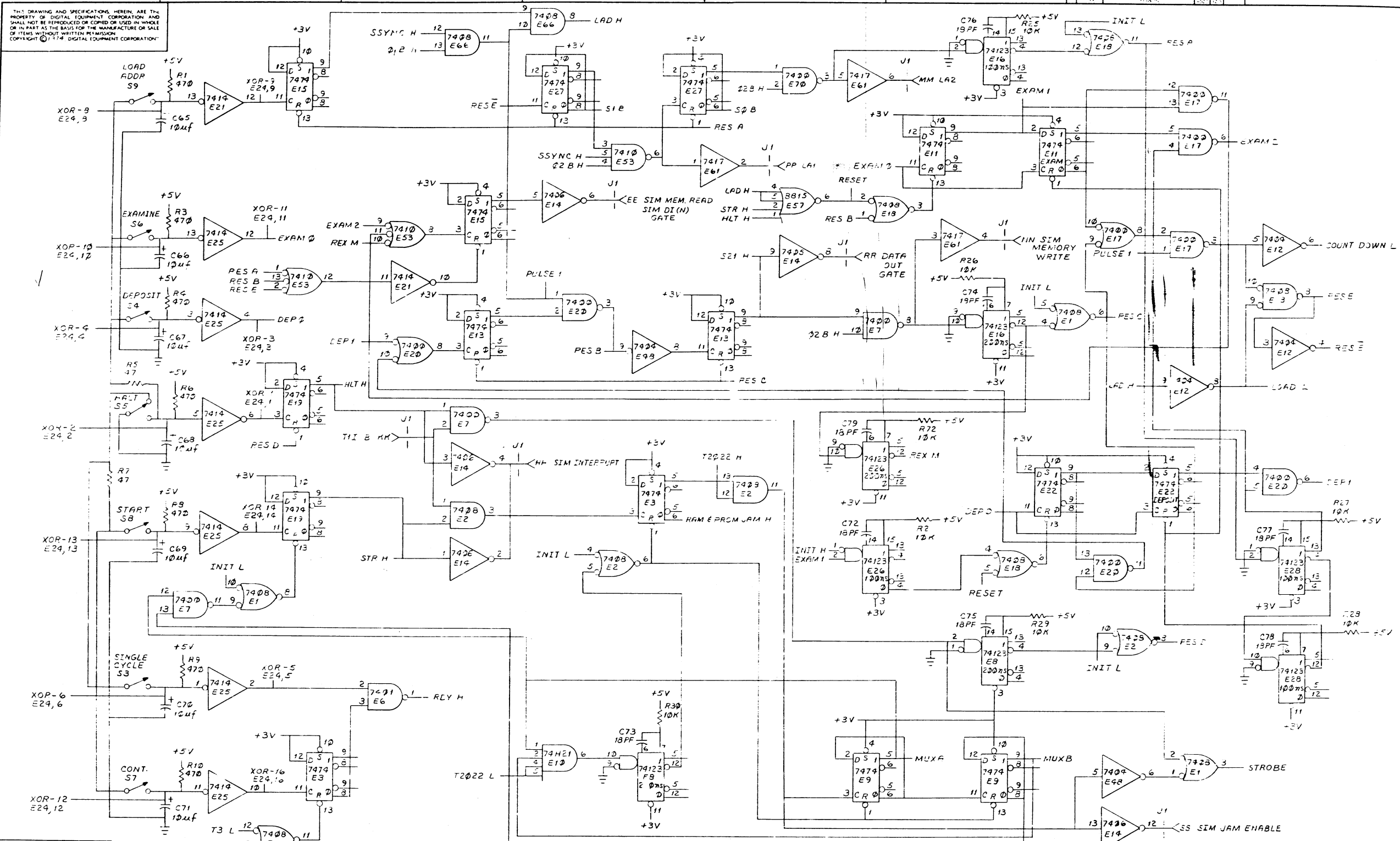
TITLE: P.M. MONITOR/CONTROL MODULE

SIZE CODE: DCS M7342-0-1
NUMBER: 1
REV: F

SCALE: NONE
SHEET: 1 OF 5

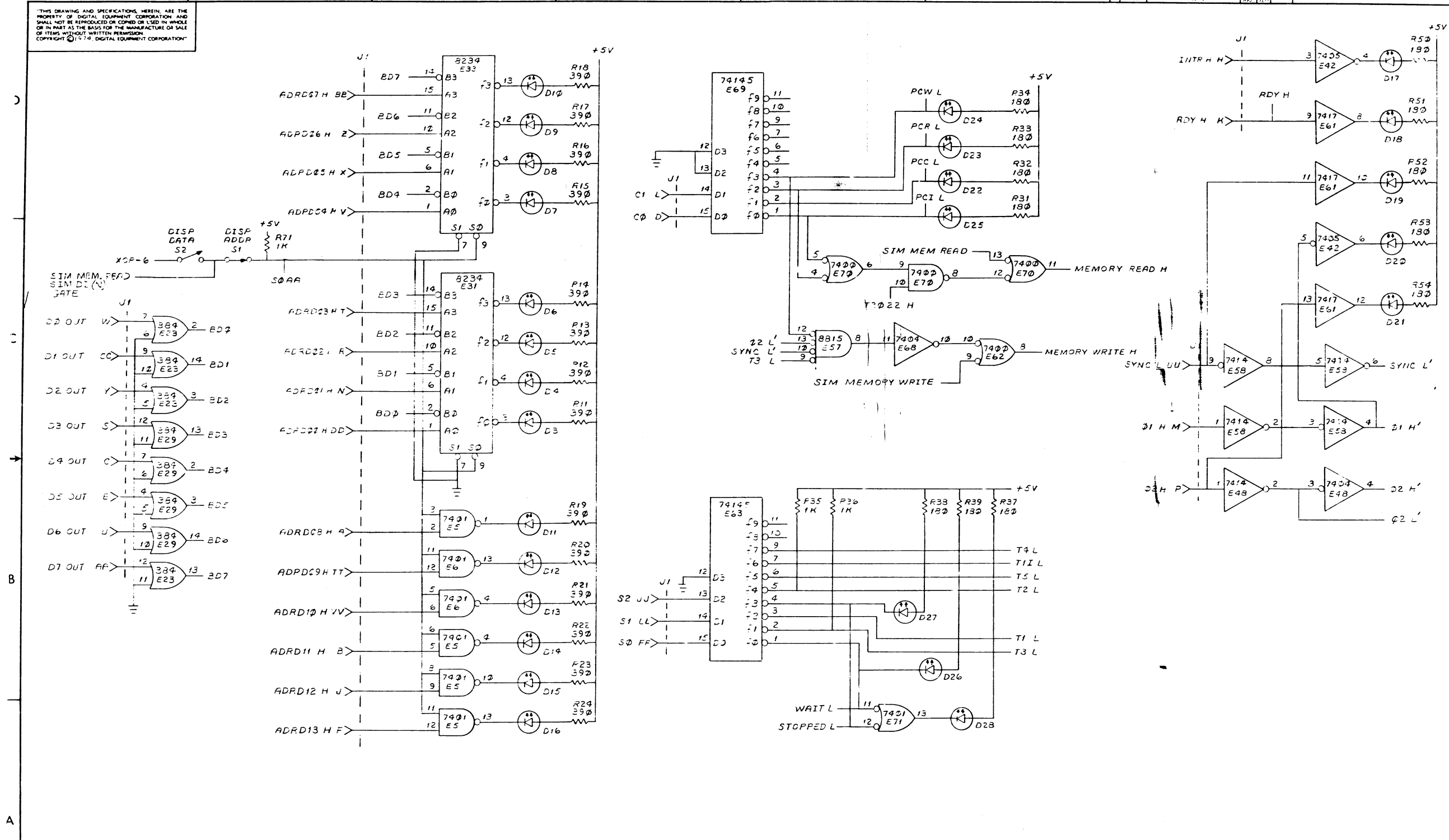
SEMICONDUCTOR CONVERSION CHART

THIS DRAWING AND SPECIFICATIONS HEREIN ARE THE PROPERTY OF DIGITAL EQUIPMENT CORPORATION AND SHALL NOT BE REPRODUCED OR COPIED OR USED IN WHOLE OR IN PART AS THE BASIS FOR THE MANUFACTURE OR SALE OF ITEMS WITHOUT WRITTEN PERMISSION. COPYRIGHT © 1974 DIGITAL EQUIPMENT CORPORATION.



REVISIONS		
CHK	CHANGE NO.	REV.

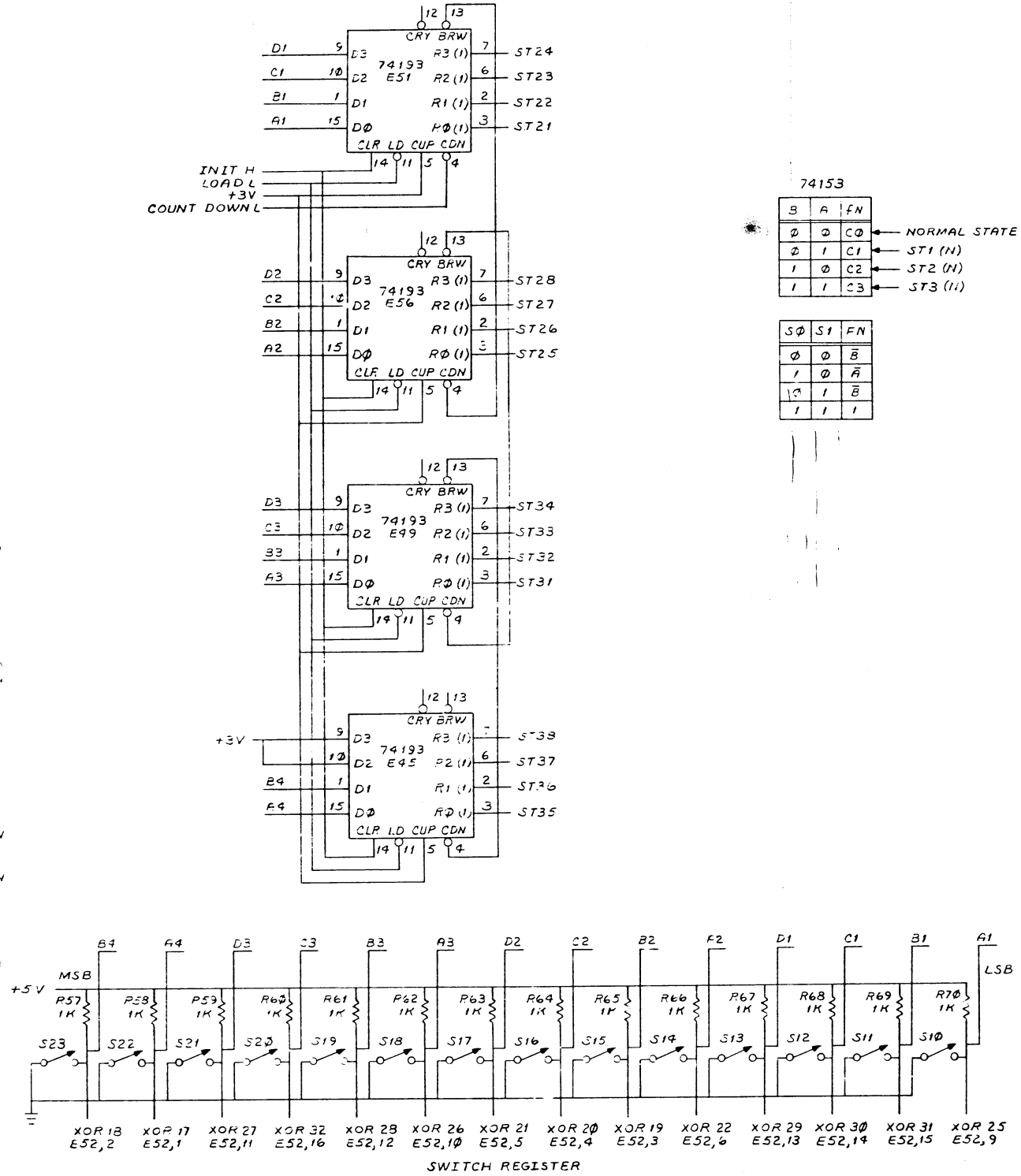
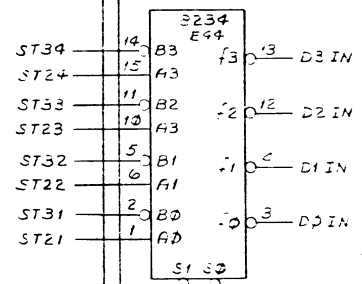
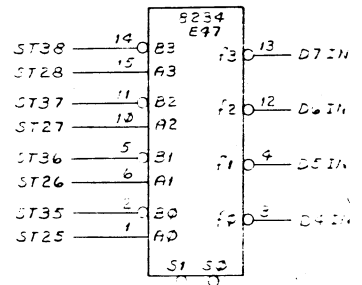
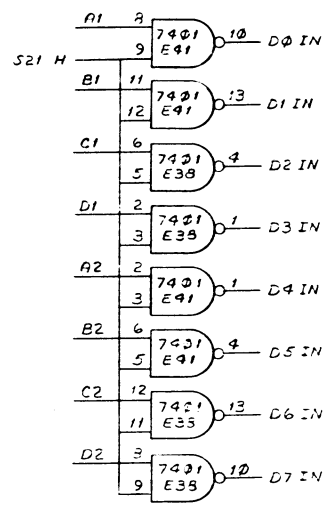
THIS DRAWING AND SPECIFICATIONS HEREIN ARE THE PROPERTY OF DIGITAL EQUIPMENT CORPORATION AND SHALL NOT BE REPRODUCED OR COPIED OR USED IN WHOLE OR IN PART AS THE BASIS FOR THE MANUFACTURE OR SALE OF ITEMS WITHOUT WRITTEN PERMISSION. COPYRIGHT © 1974, DIGITAL EQUIPMENT CORPORATION.



REVISIONS		
CHK	CHANGE NO	REV

"THIS DRAWING AND SPECIFICATIONS, HEREIN, ARE THE PROPERTY OF DIGITAL EQUIPMENT CORPORATION AND SHALL NOT BE REPRODUCED OR COPIED OR USED IN WHOLE OR IN PART AS THE BASIS FOR THE MANUFACTURE OR SALE OF ITEMS WITHOUT WRITTEN PERMISSION. COPYRIGHT © 1974, DIGITAL EQUIPMENT CORPORATION"

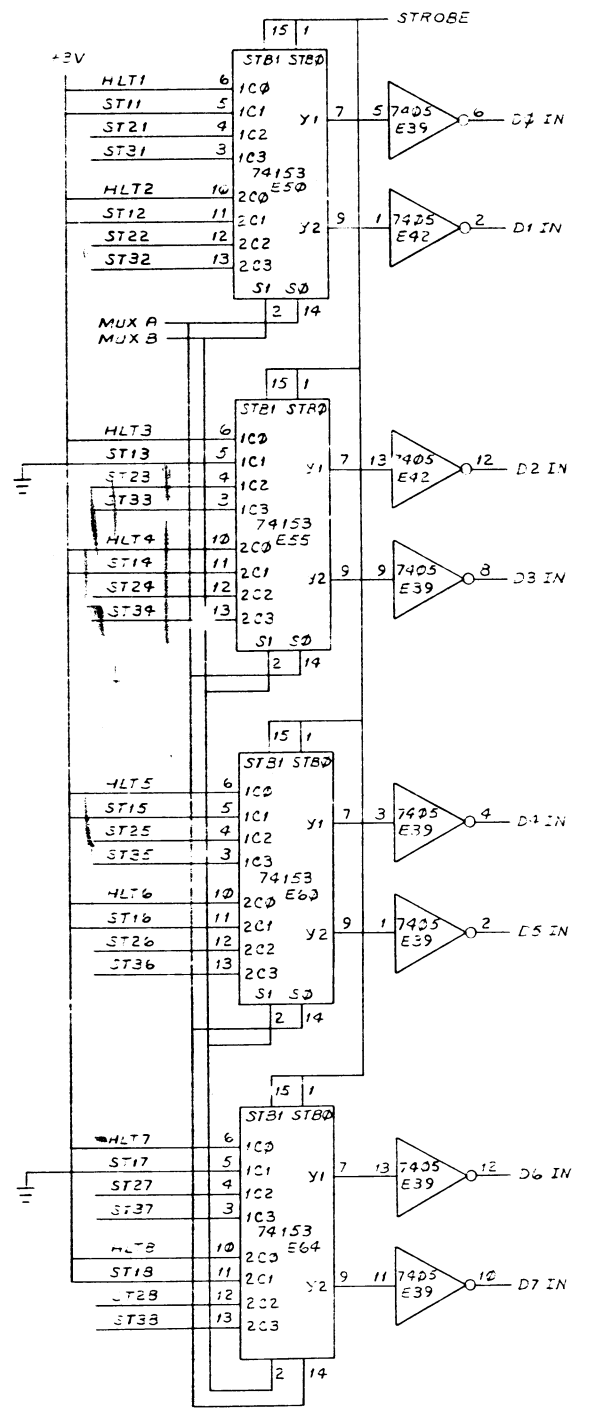
D
C
B
A



74153

B	A	FN
0	0	C0
0	1	C1
1	0	C2
1	1	C3

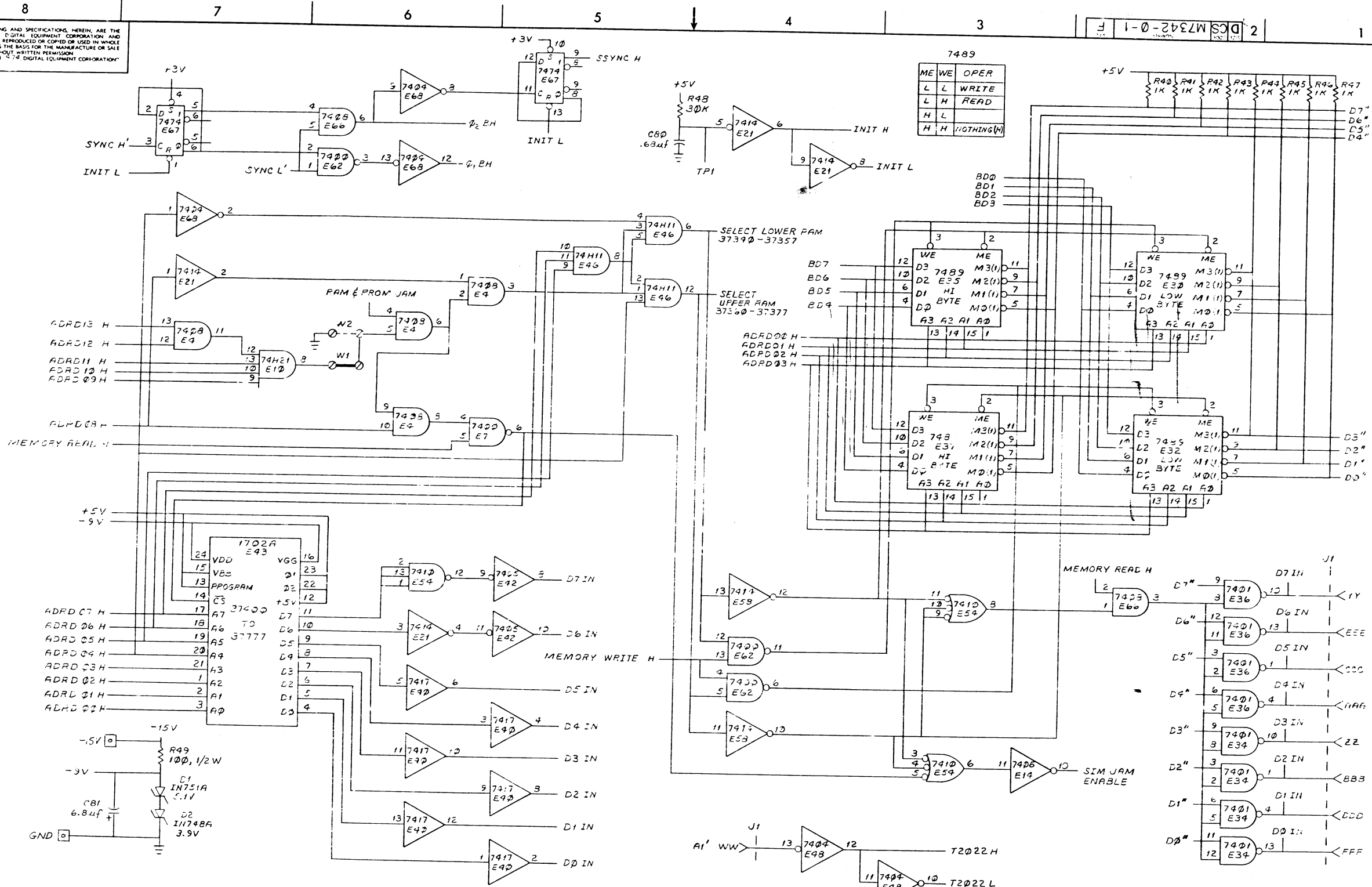
S0	S1	FN
0	0	B
0	1	A
1	0	B
1	1	A



REVISIONS		
CHK	CHANGF NO	REV

TITLE		P.M. MONITOR/ CONTROL MODULE		SIZE CODE	NUMBER	REV.
SCALE		N/CNE	SHEET	4 OF 5	DCS M7342-0-1	F

THIS DRAWING AND SPECIFICATIONS HEREIN ARE THE PROPERTY OF DIGITAL EQUIPMENT CORPORATION AND SHALL NOT BE REPRODUCED OR COPIED OR USED IN WHOLE OR IN PART AS THE BASIS FOR THE MANUFACTURE OR SALE OF ITEMS WITHOUT WRITTEN PERMISSION. COPYRIGHT © 1974 DIGITAL EQUIPMENT CORPORATION.



REVISIONS		
CHK	CHANGE NO	REV

This drawing and specifications, herein, are the property of Digital Equipment Corporation and shall not be reproduced or copied or used in whole or in part in the manufacture of any product without written permission. COPYRIGHT © 1974

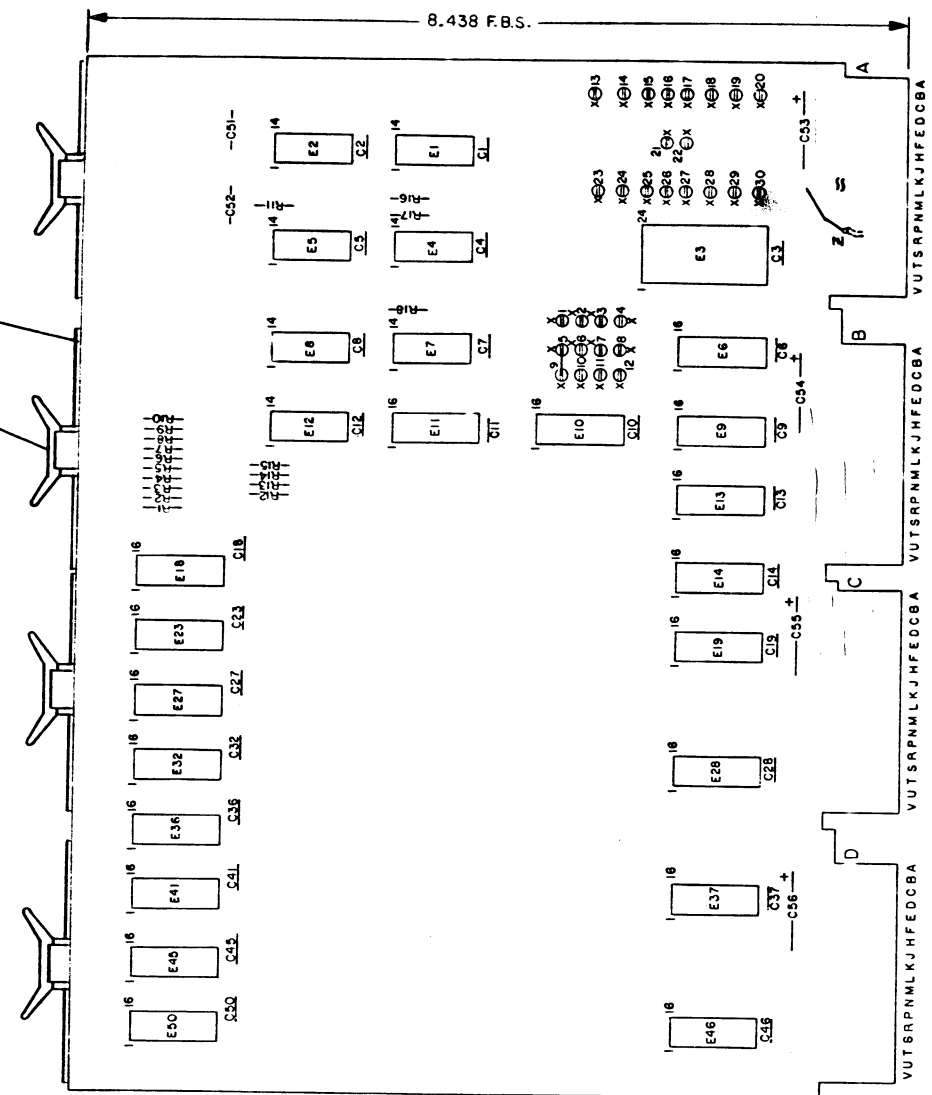
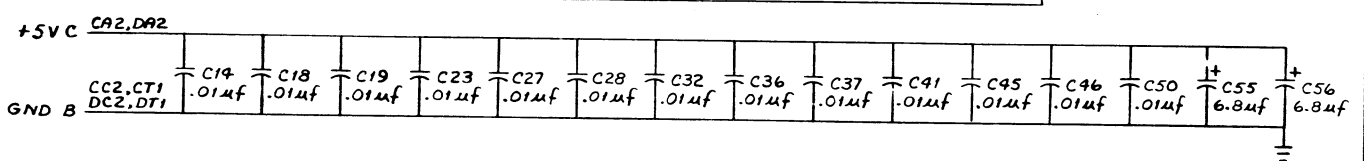
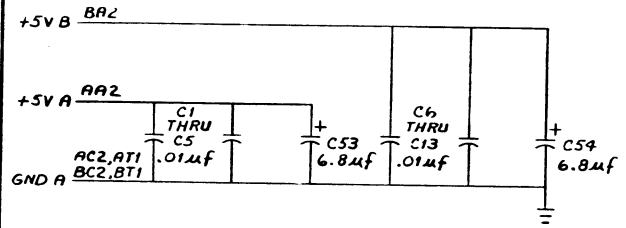
NOTES:

1. TABLE DENOTES FOLLOWING UNUSED REFERENCE DESIGNATIONS.

DIGITAL EQUIP. CORP.

SEE NOTE #1

I.C. E	CAP. C
15	15
16	16
17	17
20	20
21	21
22	22
24	24
25	25
26	26
29	29
30	30
31	31
33	33
34	34
35	35
38	38
39	39
40	40
42	42
43	43
44	44
47	47
48	48
49	49



REF	DESCRIPTION	QTY	ITEM NO.
REF	X-Y COORDINATE HOLE LOCATION		K-CO-M7344-0-4
REF	ASSY/DRILLING HOLE LAYOUT		D-AH M7344-YA-5
REF	MODULE ECO HISTORY		B-MH-M7344-YA-6
1	ETCHED CIRCUIT BOARD		5010858
2	C51, C52	CAP. 4700 PF 100V 3%	1001383
1	E4	I.C. DEC 7414	1911324
4	C53 THRU C56	CAP. 6.8µF 35V 10%	1005306
15	R1 THRU R10, R12 THRU R15	RES. 330 1/4W 5%	1300295
2	R16, R17	RES. 470 1/4W 5%	1300316
1	R11	RES. 1K 1/4W 5%	1300365
2	E1, E5	I.C. DEC 7400	1905575
1	E12	I.C. DEC 7420	1905577
1	E2	I.C. DEC 74H11	1909267
1	E8	I.C. DEC 7404	1909686
1	E3	I.C. DEC 74154	1909701
1	E7	I.C. DEC 88B1	1909705
4	E10, E13, E19, E37	I.C. DEC 74174	1910652
1	E6	I.C. DEC 74155	1910656
3	E9, E14, E28	I.C. DEC 8837	1911116
2	E11, E16	I.C. DEC 8838	1911117
8	E18, E23, E27, E32, E36, E41, E45, E50	I.C. DEC 2102	2111318
A/R	WIRE, #22 AWG. INSULATED		9009185
B	EYELET		9006732
30	SPLIT LUG		9006735
4	HANDLE, FLIPCHIP MAGENTA		9008337-06
26	C1 THRU C14, C18, C19, C23, C27, C28, C32, C36, C37, C41, C45, C46, C50	CAP. .01µf 100V 20%	1001610-01
4/R	WIRE, #30 AWG BUSS, INSULATED		905740-55

I.C. DEC 74174	8	16
I.C. DEC 74155	8	16
I.C. DEC 74154	12	24
I.C. DEC 8838	8	16
I.C. DEC 8837	8	16
I.C. DEC 2102	9	10
IC TYPE	GND	+5V

GND AND 5V ARE USUALLY PIN 7 AND 14 RESPECTIVELY. EXCEPTIONS ARE STATED ABOVE.

IC PIN LOCATIONS

SEMICONDUCTOR CONVERSION CHART

DEC NO.	EIA NO.	DEC NO.	EIA NO.
---------	---------	---------	---------

ETCH BOARD REV C

DATE: 12-28-74

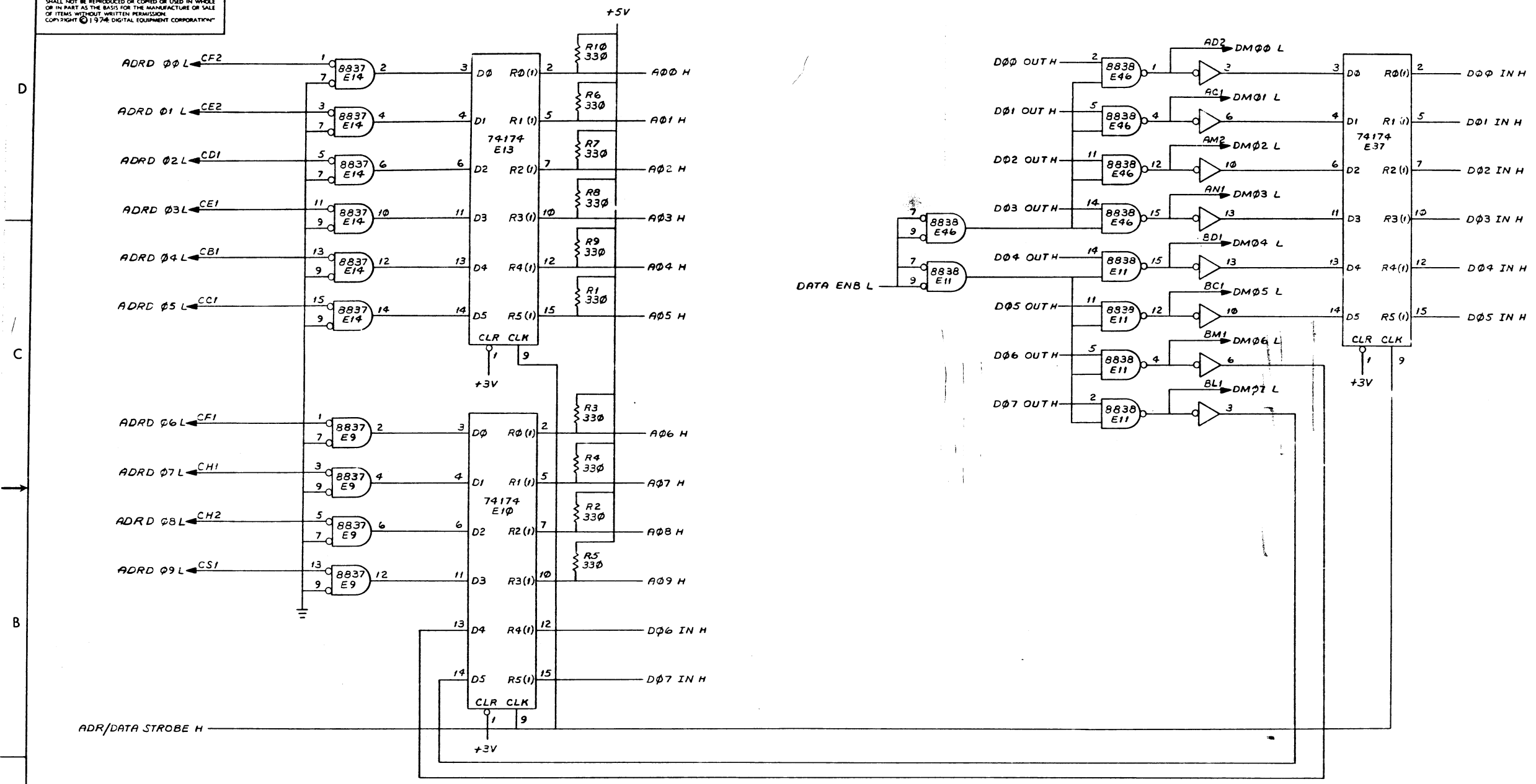
digital EQUIPMENT CORPORATION

1K BY 8 READ/WRITE MEMORY

DCS M7344-YA-1

SHEET 1 OF 4

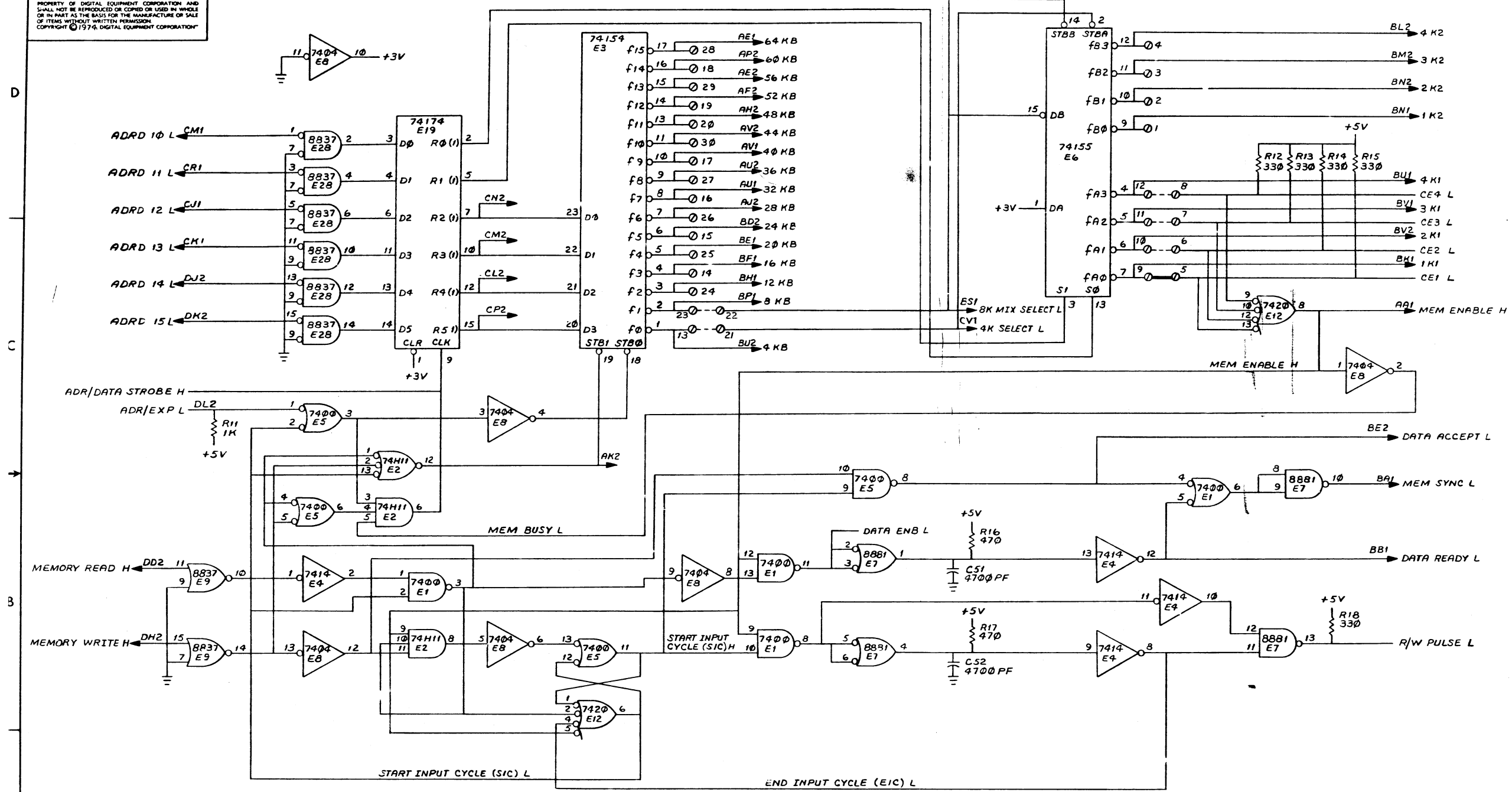
"THIS DRAWING AND SPECIFICATIONS HEREIN ARE THE PROPERTY OF DIGITAL EQUIPMENT CORPORATION AND SHALL NOT BE REPRODUCED OR COPIED OR USED IN WHOLE OR IN PART AS THE BASIS FOR THE MANUFACTURE OR SALE OF ITEMS WITHOUT WRITTEN PERMISSION. COPYRIGHT © 1974 DIGITAL EQUIPMENT CORPORATION"



REVISIONS		
CHK	CHANGE NO	REV

(ADDRESS & DATA BUFFER REGISTER)							TITLE	1K BY 8 READ/WRITE MEMORY	SIZE CODE	DCS	NUMBER	M7344-YA-1
							SCALE	NONE	SHEET	2 OF 4	DIST.	

"THIS DRAWING AND SPECIFICATIONS, HEREIN, ARE THE PROPERTY OF DIGITAL EQUIPMENT CORPORATION AND SHALL NOT BE REPRODUCED OR COPIED OR USED IN WHOLE OR IN PART AS THE BASIS FOR THE MANUFACTURE OR SALE OF ITEMS WITHOUT WRITTEN PERMISSION. COPYRIGHT © 1974, DIGITAL EQUIPMENT CORPORATION"

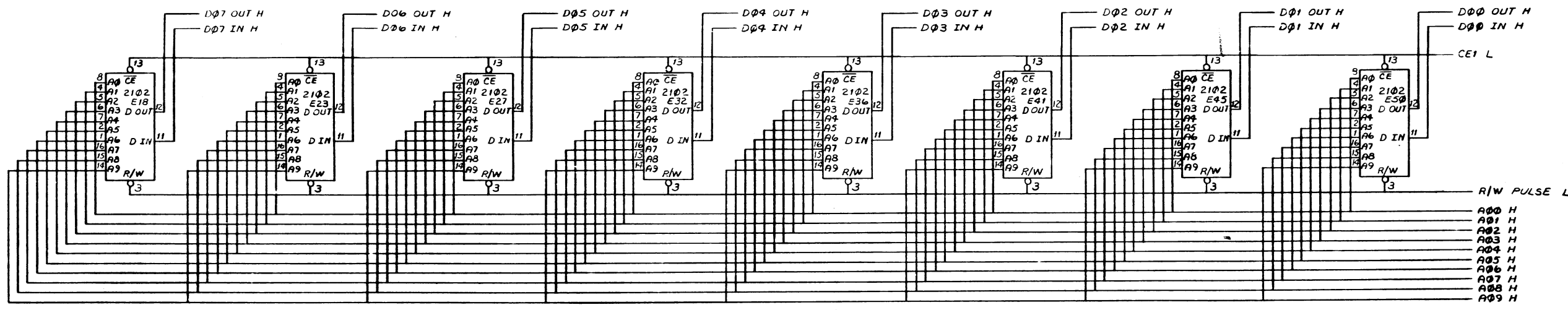


REV. SIONS		
CHK	CHANGE NO.	REV.

(ADDRESS DECODER AND CONTROL)

TITLE	1K BY 8 READ/WRITE MEMORY	SIZE CODE	D CS	NUMBER	M7344-YA-1	REV.	
SCALE	NONE	SHEET	3 OF 4	DIST.			

"THIS DRAWING AND SPECIFICATIONS HEREIN ARE THE PROPERTY OF DIGITAL EQUIPMENT CORPORATION AND SHALL NOT BE REPRODUCED OR COPIED OR USED IN WHOLE OR IN PART AS THE BASIS FOR THE MANUFACTURE OR SALE OF ITEMS WITHOUT WRITTEN PERMISSION. COPYRIGHT © 1974, DIGITAL EQUIPMENT CORPORATION"



REVISIONS		
CHK	CHANGE NO.	REV.

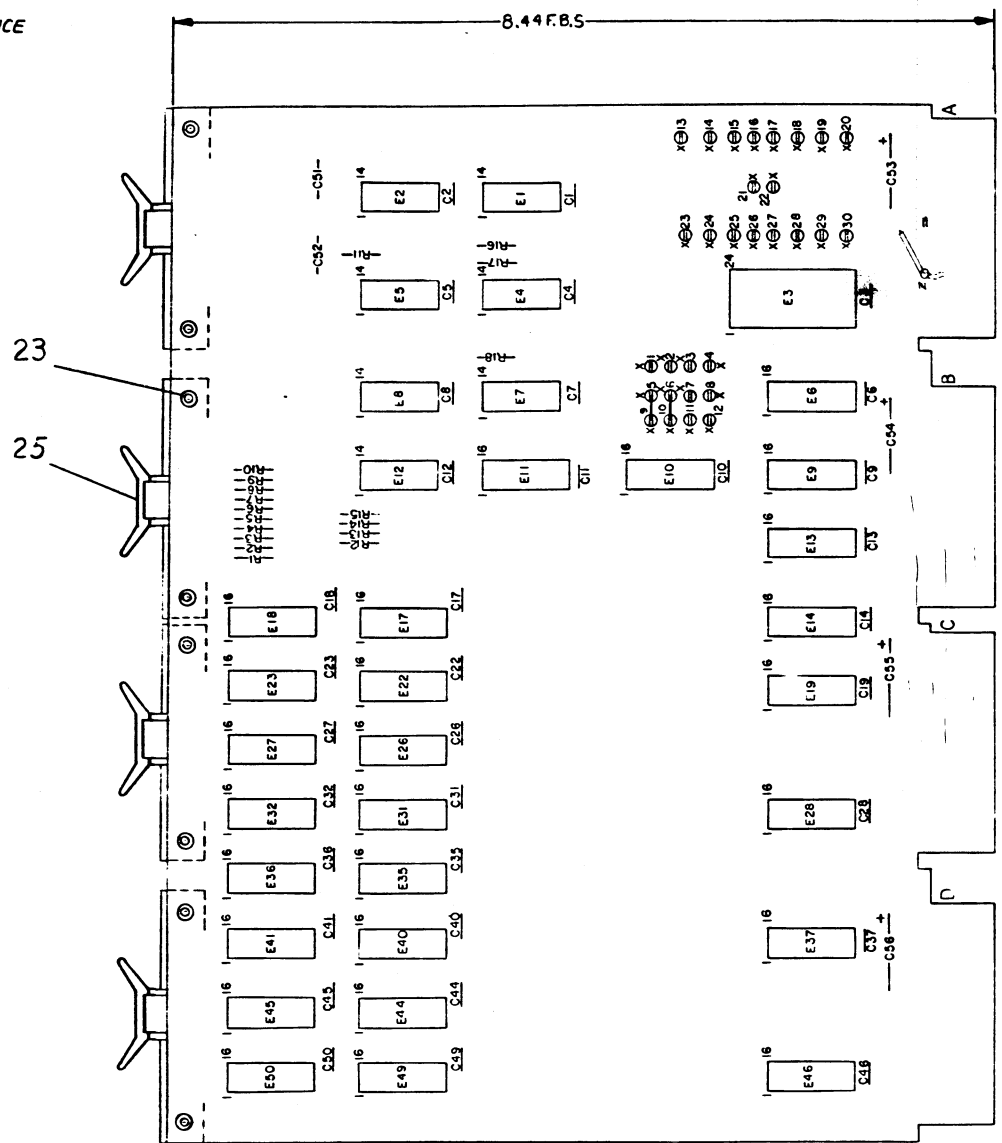
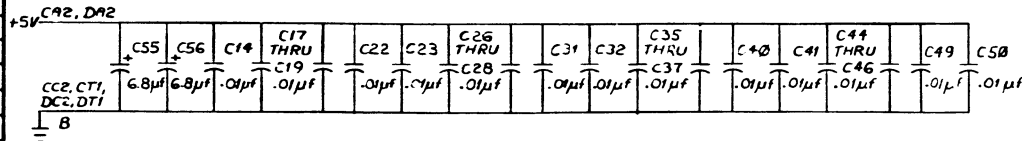
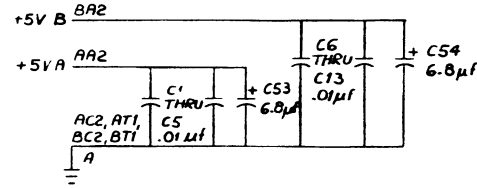
TITLE 1K BY 8 READ WRITE MEMORY		SIZE CODE DCS	NUMBER M7344-YA-1	REV.

This drawing and specifications, herein, are the property of Digital Equipment Corporation and shall not be reproduced or copied or used in whole or in part as the basis for the manufacture or sale of items without written permission. COPYRIGHT © 1974 DIGITAL EQUIP. CORP.

NOTES:
1. TABLE OF UNUSED REFERENCE DESIGNATIONS.

SEE NOTE #1

I.C.	CAP
E	C
15	15
16	16
20	20
21	21
24	24
25	25
29	29
30	30
33	33
34	34
38	38
39	39
42	42
43	43
47	4
48	48



REF	X-Y COORDINATE HOLE LOCATION	K-CO-M7344-0-4	1
REF	ASSY/DRILLING HOLE LAYOUT	D-AH M7344-YB-5	2
REF	MODULE ECO HISTORY	B-MH-M7344-YB-6	3
1	ETCHED CIRCUIT BOARD	5010858	4
2	C51, C52	CAP. 4700 PF 100V 3%	5
AR	WIRE, #22 AWG, INSULATED	9009185	6
4	C53 THRU C56	CAP. 6.8µf 35V 10%	7
15	R1 THRU R10, R12 THRU R15	RES. 330 1/4W 5%	8
2	R16, R17	RES. 470 1/4W 5%	9
1	R11	RES. 1K 1/4W 5%	10
2	E1, E5	I.C. DEC 7400	11
1	E12	I.C. DEC 7420	12
1	E2	I.C. DEC 74H11	13
1	E8	I.C. DEC 7404	14
1	E3	I.C. DEC 74154	15
1	E7	I.C. DEC 8881	16
4	E10, E13, E19, E37	I.C. DEC 74174	17
1	E6	I.C. DEC 74155	18
3	E9, E14, E28	I.C. DEC 8837	19
2	E11, E46	I.C. DEC 8838	20
16	E17, E18, E22, E23, E26, E27, E31, E32, E35, E36, E40, E41, E44, E45, E49, E50	I.C. DEC 2102	21
1	E4	I.C. DEC 7414	22
8	EYELET	9006732	23
30	SPLIT LUG	9006735	24
4	HANDLE, FLIPCHIP MAGENTA	9008337-06	25
34	C1 THRU C19, C17 THRU C19, C22, C23, C26 THRU C28, C31, C32, C35 THRU C37, C40, C41, C44 THRU C46, C49, C50	CAP. .01µ. 100V 20%	26
A/R	WIRE #30 AWG BUSS, INSULATED	9105740-55	27

I.C.	DEC NO.	QTY	REF
I.C. DEC 74174	8	16	
I.C. DEC 74155	8	16	
I.C. DEC 74154	12	24	
I.C. DEC 8838	8	16	
I.C. DEC 8837	8	16	
I.C. INTEL 2102	9	10	
IC TYPE	GND	+5V	

GND AND 5V ARE USUALLY PIN 7 AND 14 RESPECTIVELY. EXCEPTIONS ARE STATED ABOVE.

IC PIN LOCATIONS

FIRST USED ON OPTION MODEL

ETCH BOARD REV C

PARTS LIST

ORIG	DATE	BY
CHKD	DATE	BY
ENGR	DATE	BY
PRGR	DATE	BY
DRWG	DATE	BY
APPV	DATE	BY
NEXT HIGHER ASSY		

digital EQUIPMENT CORPORATION
MAYNARD, MASSACHUSETTS

TITLE: 2K BY 8 READ/WRITE MEMORY

SIZE CODE: DCS M7344-YB-1

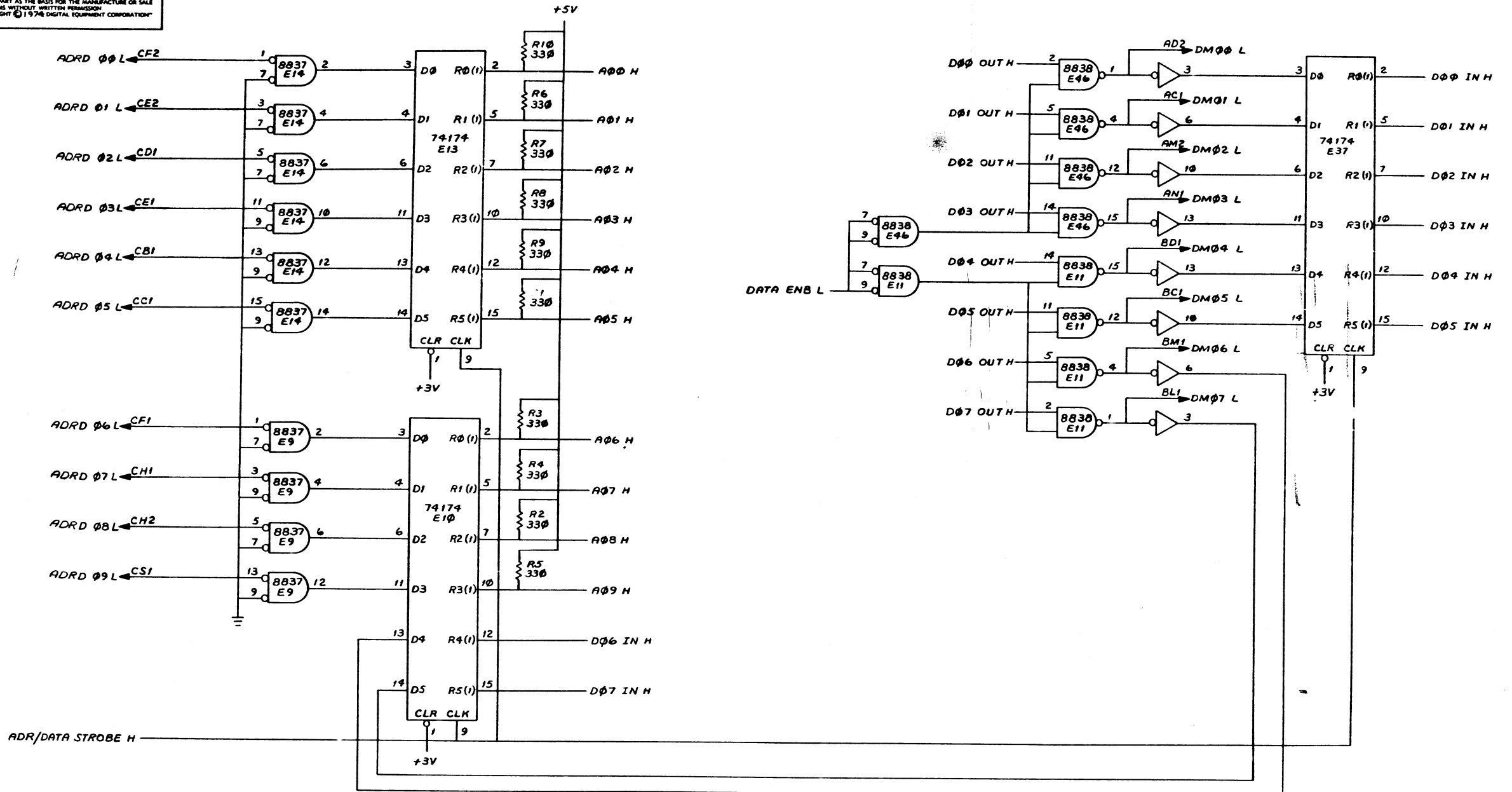
SCALE: NONE

SHEET: 1 OF 4

SEMICONDUCTOR CONVERSION CHART

DEC. NO. EIA NO. DEC. NO. EIA NO.

THIS DRAWING AND SPECIFICATIONS HEREIN ARE THE PROPERTY OF DIGITAL EQUIPMENT CORPORATION AND SHALL NOT BE REPRODUCED OR COPIED OR USED IN WHOLE OR IN PART AS THE BASIS FOR THE MANUFACTURE OR SALE OF ITEMS WITHOUT WRITTEN PERMISSION. COPYRIGHT © 1974 DIGITAL EQUIPMENT CORPORATION



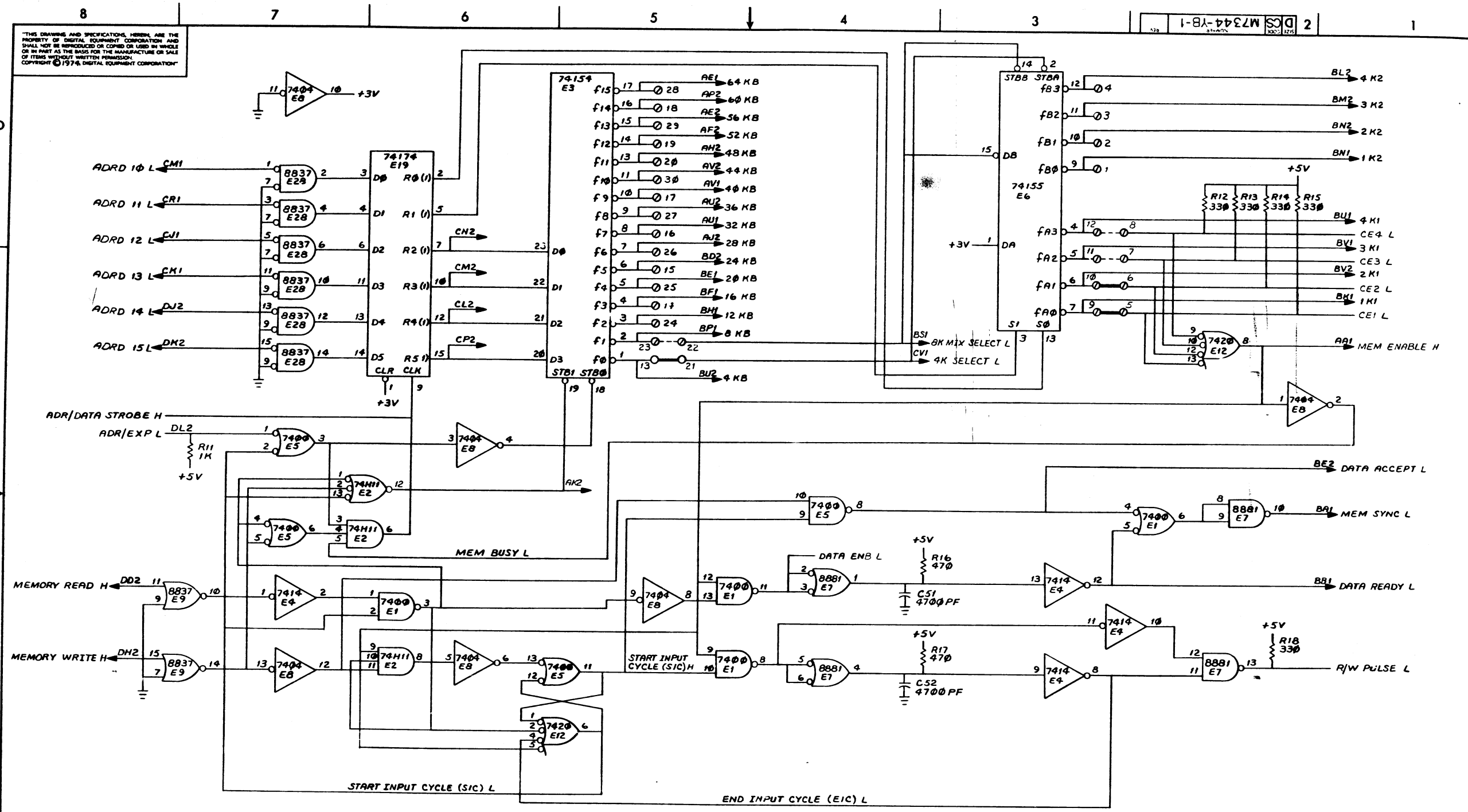
REVISIONS		
CHK	CHANGE NO.	REV.

(ADDRESS & DATA BUFFER REGISTER)

TITLE	2K BY 8 READ/WRITE MEMORY	SIZE CODE	DCS	NUMBER	M7344-YB-1	REV.	
SCALE	NONE	SHEET	2 OF 4	DIST.			

DCS M7344-YB-1

"THIS DRAWING AND SPECIFICATIONS, HEREIN, ARE THE PROPERTY OF DIGITAL EQUIPMENT CORPORATION AND SHALL NOT BE REPRODUCED OR COPIED OR USED IN WHOLE OR IN PART AS THE BASIS FOR THE MANUFACTURE OR SALE OF ITEMS WITHOUT WRITTEN PERMISSION. COPYRIGHT © 1974, DIGITAL EQUIPMENT CORPORATION"



REVISIONS		
CHK	CHANGE NO.	REV.

(ADDRESS DECODER AND CONTROL)

TITLE	2K BY 8 READ/WRITE MEMORY	SIZE CODE	DCS	NUMBER	M7344-YB-1	REV.	
SCALE	NONE	SHEET	3 OF 4	DIST.			

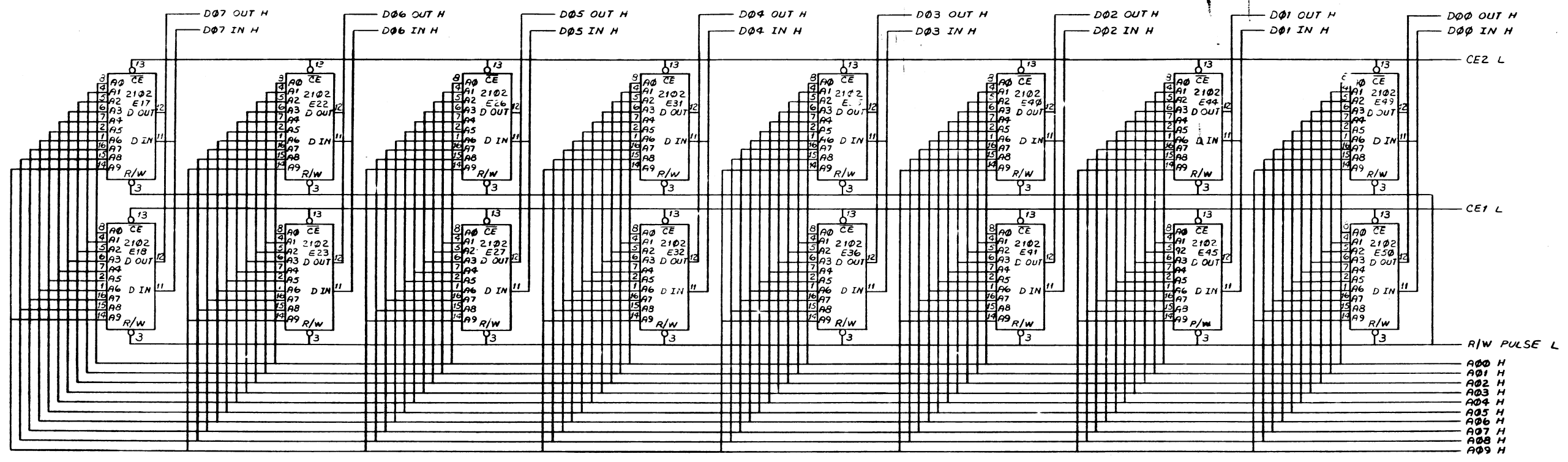
"THIS DRAWING AND SPECIFICATIONS, HEREIN, ARE THE PROPERTY OF DIGITAL EQUIPMENT CORPORATION AND SHALL NOT BE REPRODUCED OR COPIED OR USED IN WHOLE OR IN PART AS THE BASIS FOR THE MANUFACTURE OR SALE OF ITEMS WITHOUT WRITTEN PERMISSION. COPYRIGHT © 1974, DIGITAL EQUIPMENT CORPORATION"

D

C

B

A

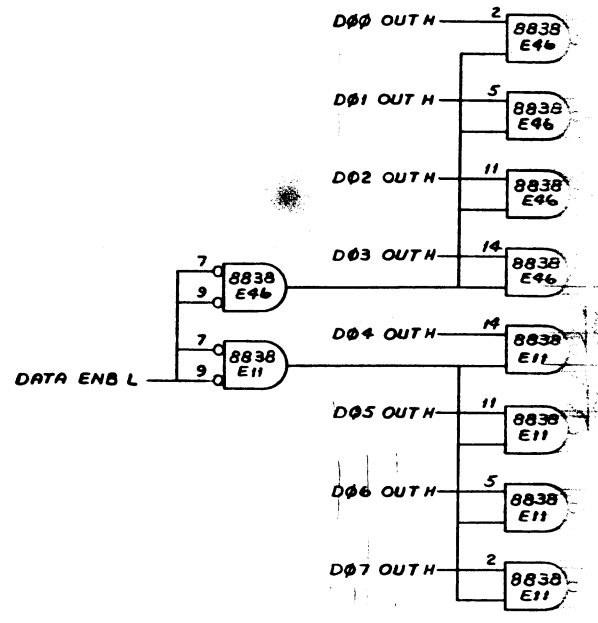
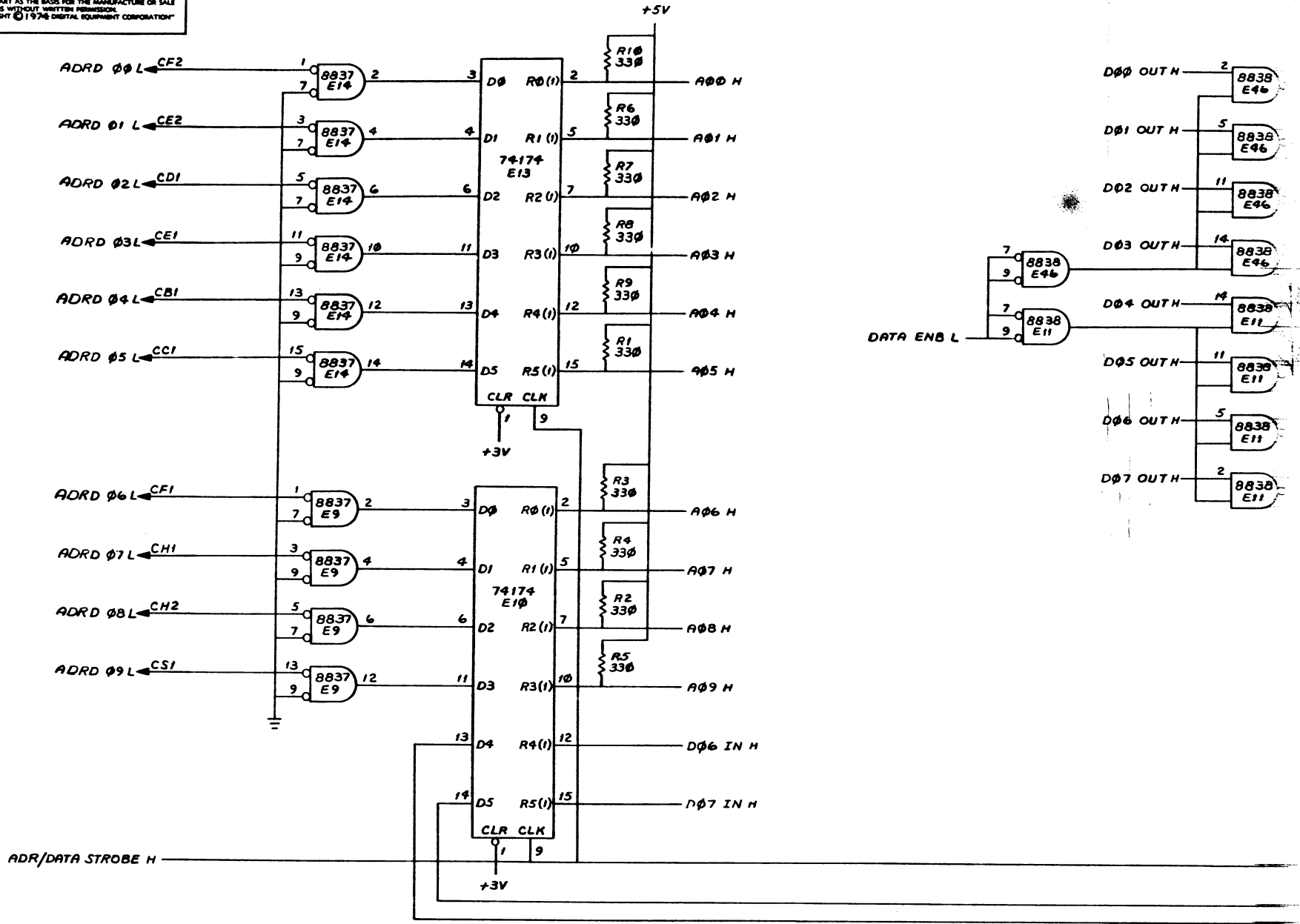


REVISIONS		
CHK	CHANGE NO.	REV.

(MEMORY MATRIX)

TITLE	2K BY 8 READ/WRITE MEMORY	SIZE CODE	DCS	NUMBER	M7344-YB-1	REV.	
SCALE	NONE	SHEET	4 OF 4	DIST.			

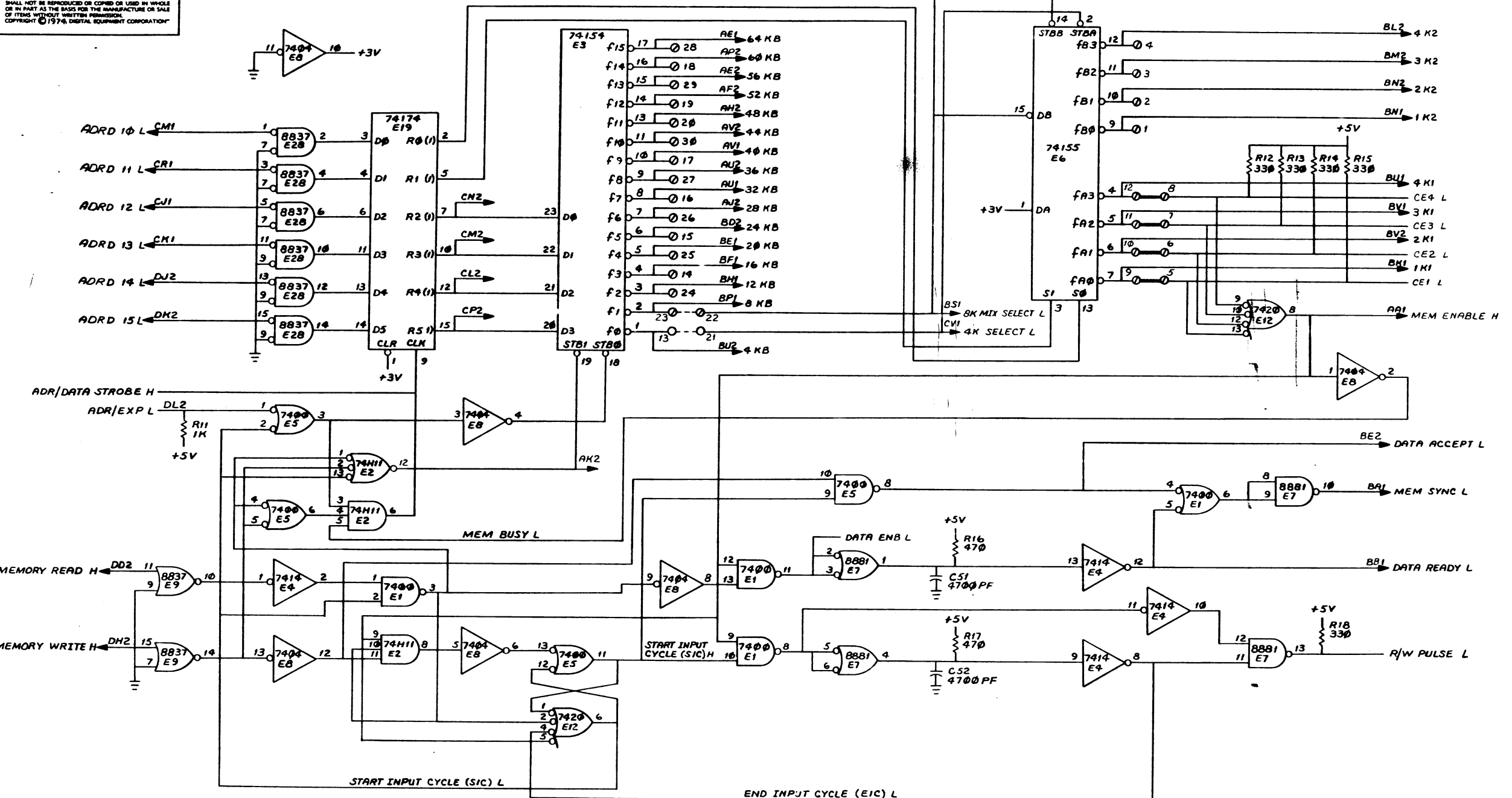
THIS DRAWING AND SPECIFICATIONS HEREIN ARE THE PROPERTY OF DIGITAL EQUIPMENT CORPORATION AND SHALL NOT BE REPRODUCED OR COPIED OR USED IN WHOLE OR IN PART AS THE BASIS FOR THE MANUFACTURE OR SALE OF ITEMS WITHOUT WRITTEN PERMISSION. COPYRIGHT © 1974 DIGITAL EQUIPMENT CORPORATION



REVISIONS		
CHK	CHANGE NO.	REV.

THIS DRAWING AND SPECIFICATIONS HEREIN ARE THE PROPERTY OF DIGITAL EQUIPMENT CORPORATION AND SHALL NOT BE REPRODUCED OR COPIED OR USED IN WHOLE OR IN PART AS THE BASIS FOR THE MANUFACTURE OR SALE OF ITEMS WITHOUT WRITTEN PERMISSION. COPYRIGHT © 1974, DIGITAL EQUIPMENT CORPORATION.

D
C
B
A

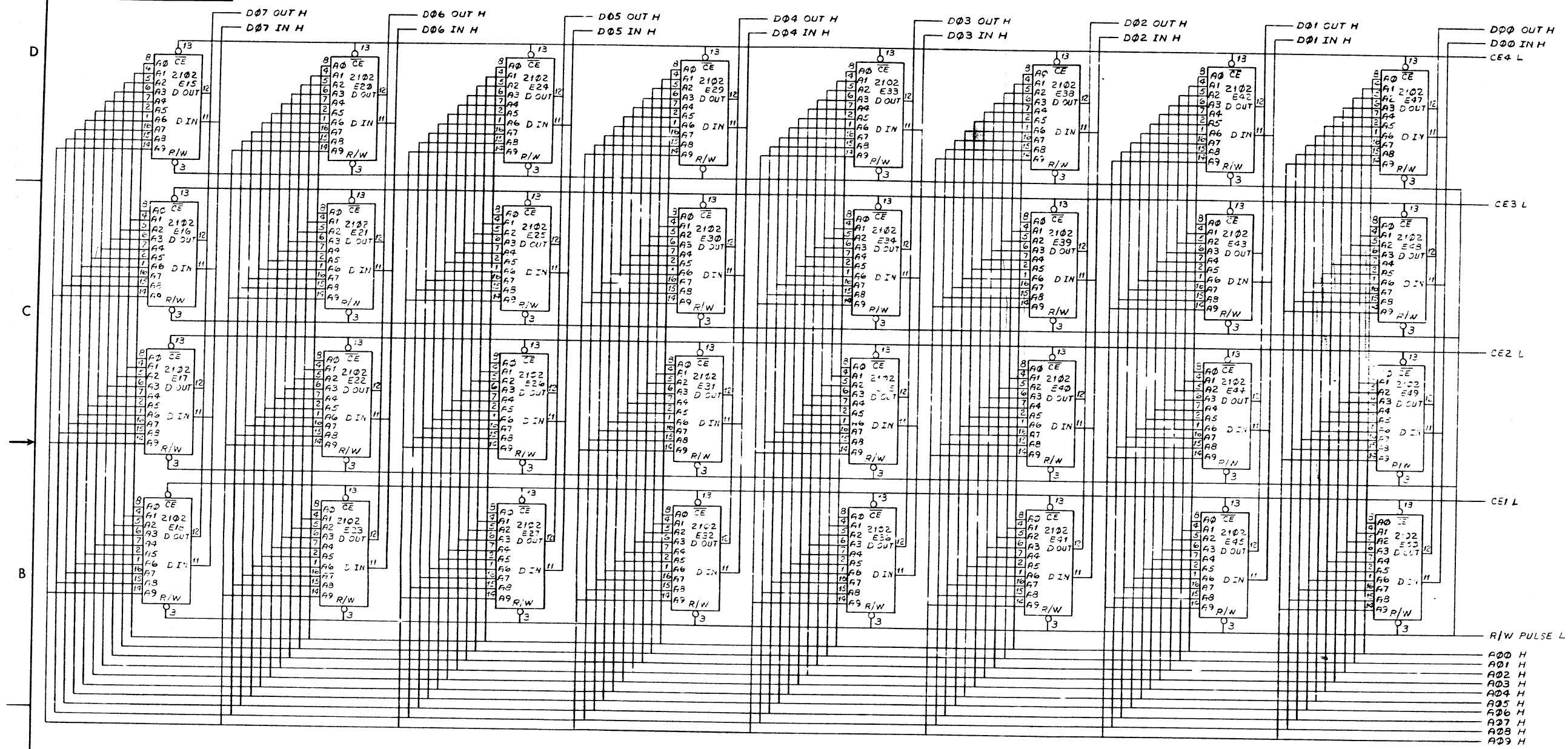


REVISIONS		
CHK	CHANGE NO.	REV.

(ADDRESS DECODER AND CONTROL)

TITLE	4K BY 8 READ/WRITE MEMORY	SIZE CODE	D CS	NUMBER	M7344-YC-1	REV.	C
SCALE	NONE	SHEET	3 OF 4	DIST.			

"THIS DRAWING AND SPECIFICATIONS, HEREIN, ARE THE PROPERTY OF DIGITAL EQUIPMENT CORPORATION AND SHALL NOT BE REPRODUCED OR COPIED OR USED IN WHOLE OR IN PART AS THE BASIS FOR THE MANUFACTURE OR SALE OF ITEMS WITHOUT WRITTEN PERMISSION. COPYRIGHT © 1974, DIGITAL EQUIPMENT CORPORATION"



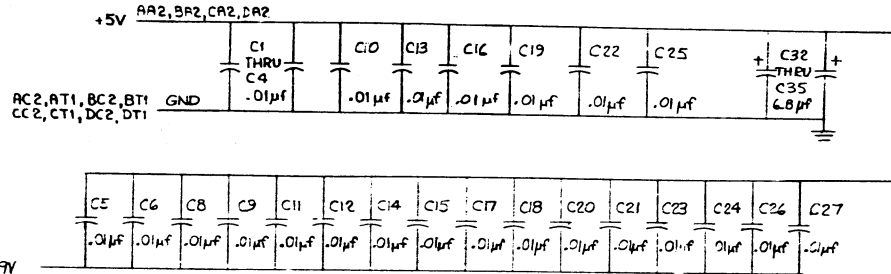
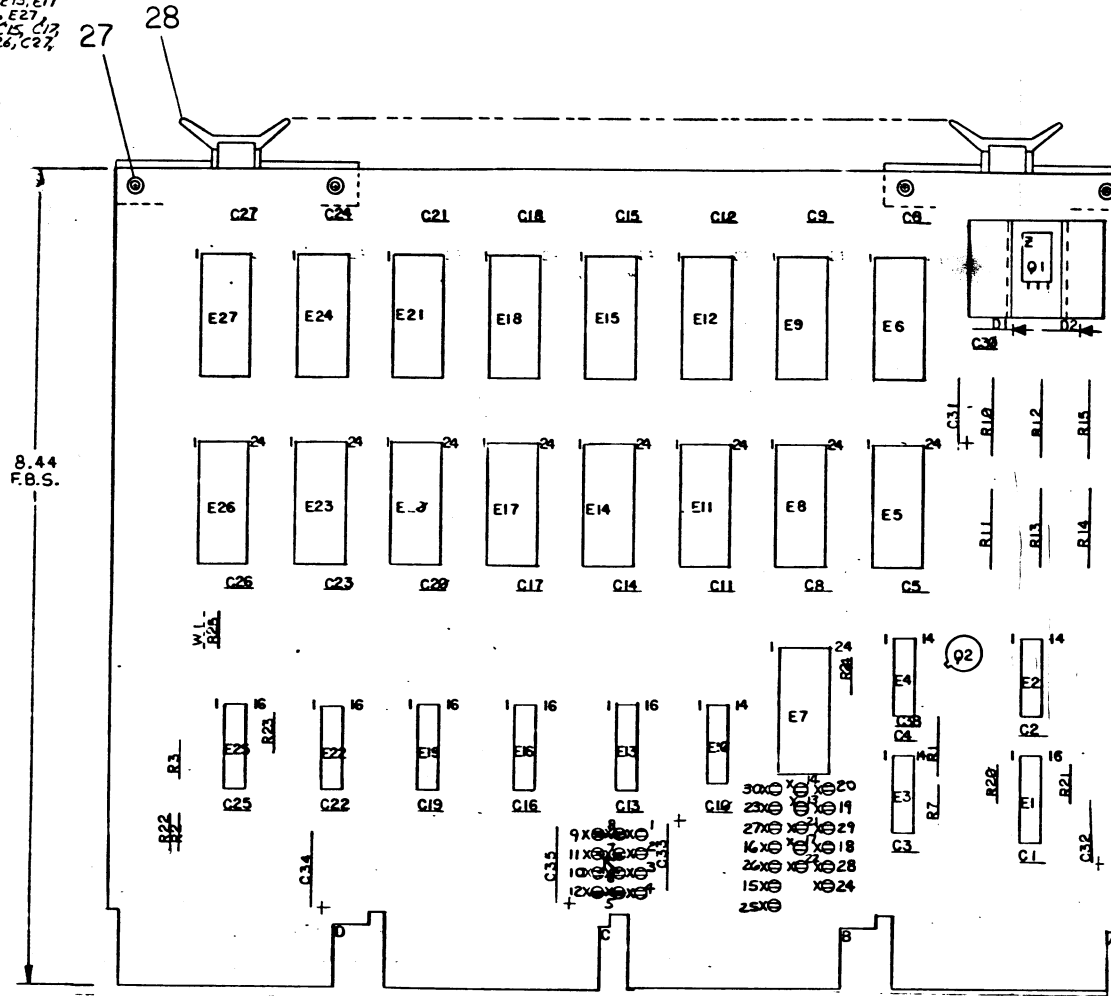
REVISIONS		
CHK	CHANGE NO	REV

(MEMORY MATRIX)

TITLE	4K BY 8 READ WRITE MEMORY	SIZE CODE	D CS	NUMBER	M7344-YC-1	REV.	C
SCALE	NONE	SHEET	4 OF 4	DIST.			

THIS DRAWING AND SPECIFICATIONS HEREIN ARE THE PROPERTY OF DIGITAL EQUIPMENT CORPORATION AND SHALL NOT BE REPRODUCED OR COPIED OR USED IN WHOLE OR IN PART AS THE BASIS FOR THE MANUFACTURE OR SALE OF ITEMS WITHOUT WRITTEN PERMISSION
 COPYRIGHT © 1974, DIGITAL EQUIPMENT CORPORATION

NOTES:
 1. THE FOLLOWING ARE OPTIONAL COMPONENTS, DO NOT INSERT:
 E3, E6, E8, E9, E11, E12, E14, E15, E17
 E18, E20, E21, E23, E24, E26, E27
 C5, C6, C9, C11, C16, C14, C15, C17
 C18, C20, C21, C23, C24, C26, C27, W1.

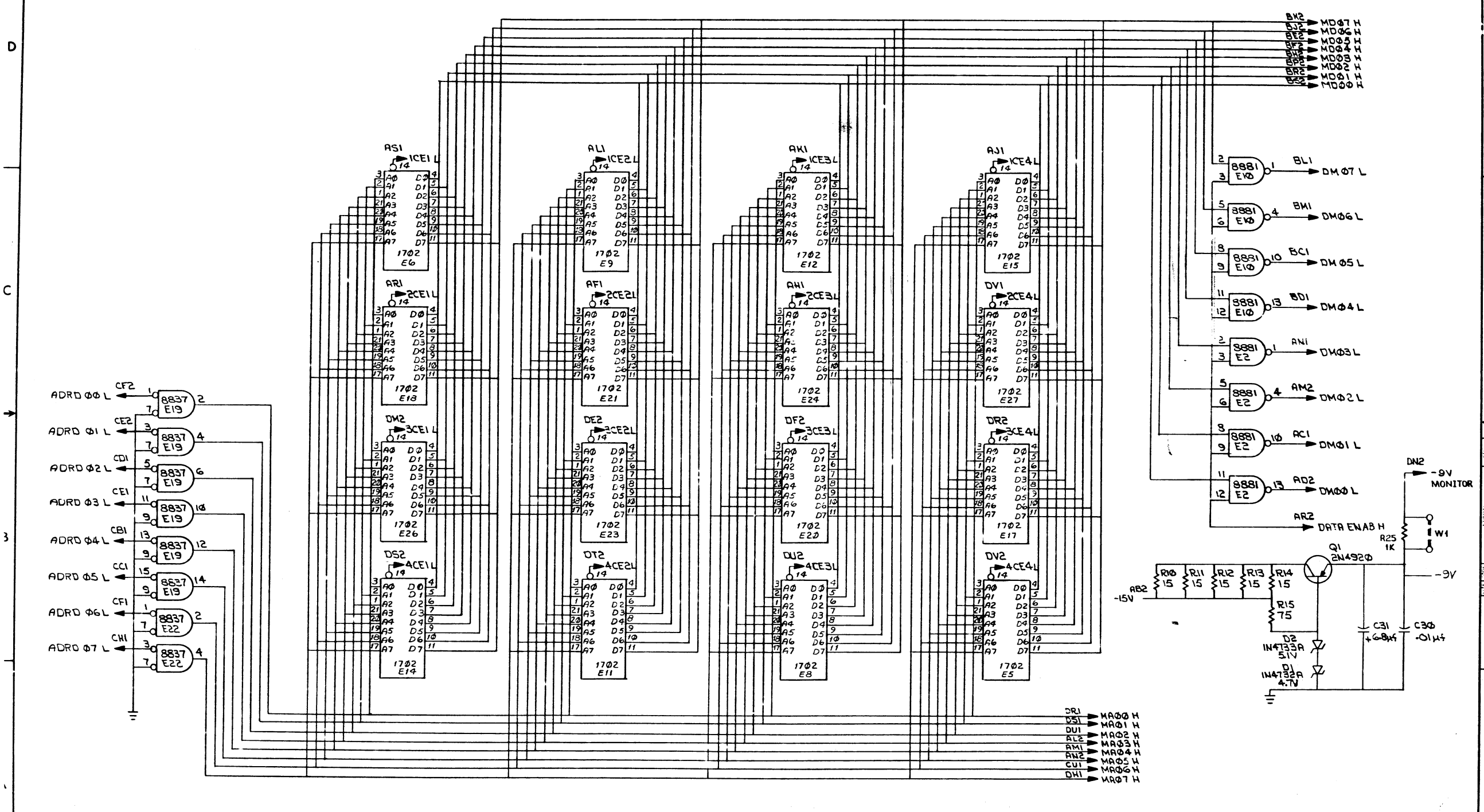


IC DEC 74155	8	16
IC DEC 74154	12	24
IC DEC 8837	8	16
IC TYPE	GND	+5V
GND AND 5V ARE USUALLY PIN 7 AND 14 RESPECTIVELY. EXCEPTIONS ARE STATED ABOVE.		
IC PIN LOCATIONS		

REF	DESCRIPTION	QTY	PART NO.	ITEM NO.
REF	Y-C COORDINATE HOLE LOCATION		K-CO-M7345-0-4	1
REF	ASSY / DRILLING HOLE LAYOUT		D-AH-M7345-0-5	2
REF	MODULE ECO HISTORY		B-MH-M7345-0-6	3
1	ETCHED CIRCUIT BOARD		5010895	4
1	C38		CAP. 120 Pf 100V 5% DM	5
11	C1-4, C13, C14, C19, C22, C25, C30		CAP. .01µf 100V 20% DISC	6
5	C31 THRU C35		CAP. 6.8µf 35V 10% TANT	7
1	D1		DIODE 1N4732 A	8
1	D2		DIODE 1N4733 A	9
16			I.C. SOCKET 24 PIN	10
1	R25		RES. 1K 1/4W 5%	11
6	R3, R20 THRU R24		RES. 1.2K 1/4W 5%	12
2	R2, R7		RES. 620 1/4W 5%	13
1	R1		RES. 6.2K 1/2W 5%	14
1	R15		RES. 75 1W 5%	15
5	R10 THRU R14		RES. 15 1W 5%	16
1	Q1		TRANS. DEC 4920	17
1	Q2		TRANS. DEC 6531B	18
1	E7		I.C. DEC 74154	19
2	E2, E10		I.C. DEC 8881	20
3	E1, E13, E25		I.C. DEC 74155	21
3	E16, E19, E22		I.C. DEC 8837	22
1	E3		I.C. DEC 7414	23
1	E4		I.C. DEC 7416	24
				25
1	HEAT SIN		7411625-8-0	26
8	EYELETS		9006732	27
4	HANDLE FLIP CHIP - MAGENTA		9008337-6	28
30	SPLIT LUGS		9006735	29
				30
				31
4	5-12, 6-7, 7-10, 8-9		JUMPER	32
R/R			COMPOUND, THERMAL	33
1			THERMAFILM WASHER	34
1			SCREW, NYLON #4-40 X 3/8	35
1			NUT, NYLON #4-40	36
R/R			CEMENT, PERMA BOND	37

FIRST USED ON OPTION MODEL		ETCH BOARD REV C	
DRN: P.F. BEARLEY CHKD: [Signature] ENG: [Signature] PROJ. ENG: [Signature] PROD: [Signature] NEXT HIGHER ASSY:		digital EQUIPMENT CORPORATION TITLE: 4K BY 8 PROM SIZE CODE: DCS M7345-0-1 NUMBER: 1 REV: D	
DEC NO.	EIA NO.	DEC NO.	EIA NO.
SEMICONDUCTOR CONVERSION CHART			
SCALE: NONE		SHEET 1 OF 3	

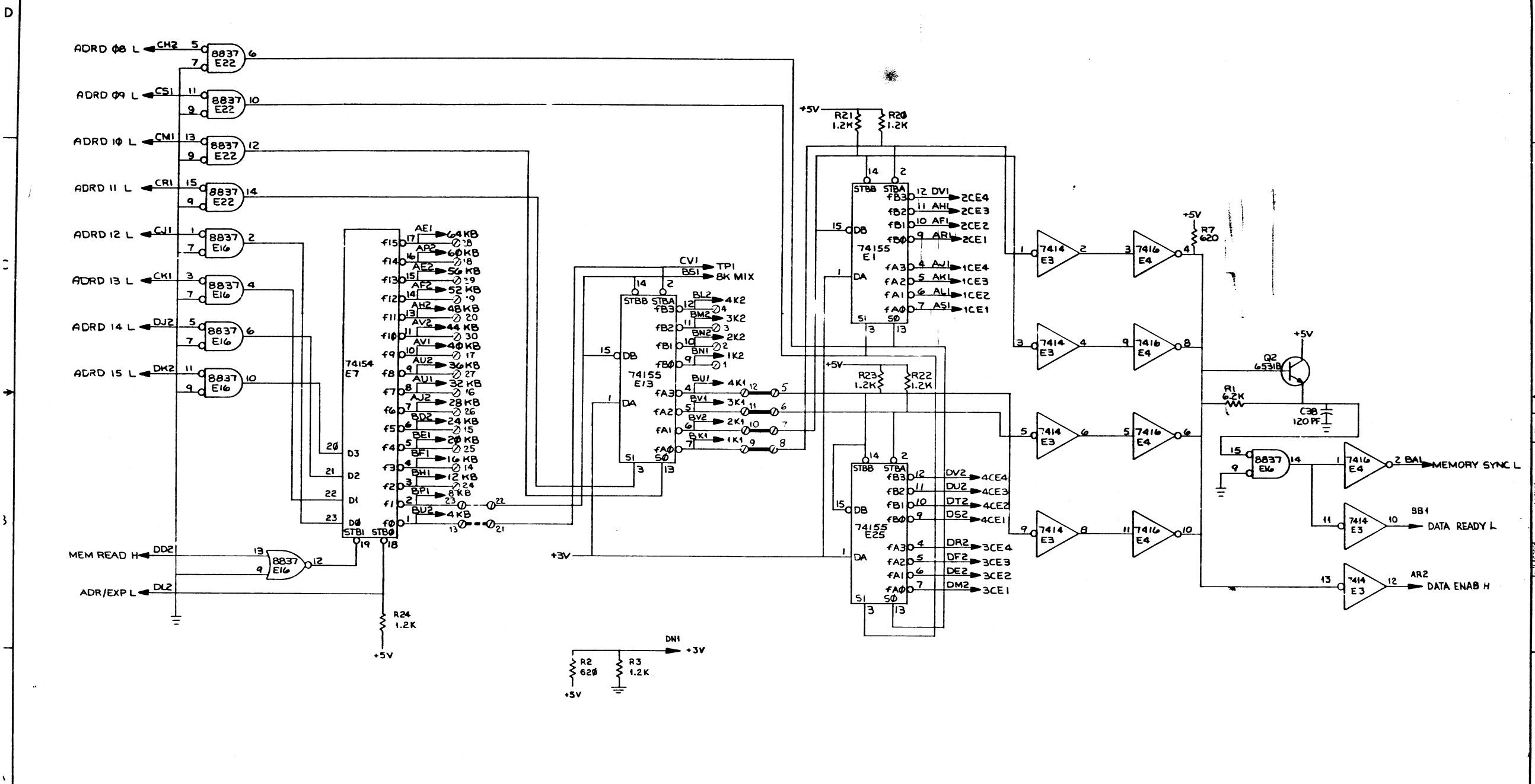
"THIS DRAWING AND SPECIFICATIONS HEREIN ARE THE PROPERTY OF DIGITAL EQUIPMENT CORPORATION AND SHALL NOT BE REPRODUCED OR COPIED OR USED IN WHOLE OR IN PART AS THE BASIS FOR THE MANUFACTURE OR SALE OF ITEMS WITHOUT WRITTEN PERMISSION. COPYRIGHT © 1974, DIGITAL EQUIPMENT CORPORATION"



REVISIONS		
CHK	CHANGE NO.	REV.

TITLE		SIZE CODE	NUMBER	REV.
4K X 8 PROM		DCS	M7345-0-1	D
SCALE	NONE	SHEET	2 OF 3	DIST.

THIS DRAWING AND SPECIFICATIONS HEREIN ARE THE PROPERTY OF DIGITAL EQUIPMENT CORPORATION AND SHALL NOT BE REPRODUCED OR COPIED OR USED IN WHOLE OR IN PART AS THE BASIS FOR THE MANUFACTURE OR SALE OF ANY PRODUCT WITHOUT WRITTEN PERMISSION FROM DIGITAL EQUIPMENT CORPORATION.



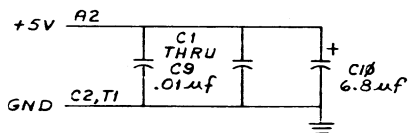
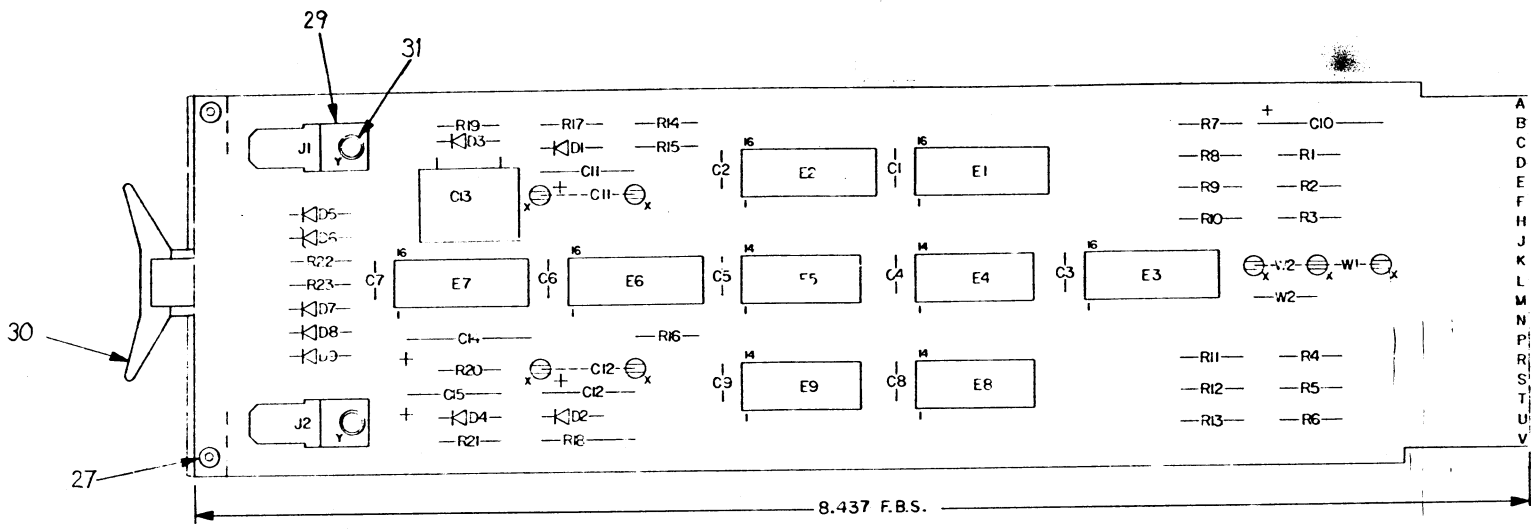
REVISIONS		
CHK	CHANGE NO.	REV.

(ADDRESS & CONTROL DECODER)

8	7	6	5	4	3	2	1		
TITLE 4K BY 8 PROM							SIZE CODE DCS	NUMBER M7345-0-1	REV. D
SCALE NONE							SHEET 3 OF 3	DIST.	

THIS DRAWING AND SPECIFICATIONS, HEREIN, ARE THE PROPERTY OF DIGITAL EQUIPMENT CORPORATION AND SHALL NOT BE REPRODUCED OR COPIED OR USED IN WHOLE OR IN PART AS THE BASIS FOR THE MANUFACTURE OR SALE OF ITEMS WITHOUT WRITTEN PERMISSION. COPYRIGHT © 1974, DIGITAL EQUIPMENT CORPORATION.

NOTES:



REF	X-Y COORDINATE HOLE LOCATION	K-CO-M7346-0-1	1
REF	ASSY/DRILLING HOLE LAYOUT	D-9H-M7346-0-5	2
REF	MODULE ECO HISTORY	B-MH-M7346-0-6	3
1	ETCHED CIRCUIT BOARD	5010896	4
2	C12, C15	CAP. 3.9µf 10V 10% TANT	1000064
9	C1 THRU C9	CAP. .01µf 100V 20% DISC	1001610-C3
1	C11	CAP. 1µf 35V 10% TANT	1001776
2	C10, C14	CAP. 6.8µf 35V 10% TANT	1005306
1	R22	RES. 330 1/4W 5%	1300295
1	R23	RES. 1K 1/4W 5%	1300365
14	R1 THRU R13, R20	RES. 3K 1/4W 5%	1300432
2	R21, R19	RES. 47K 1/4W 5%	1302177
2	R16, R17	RES. 20K 1/4W 5%	1302391
1	R15	RES. 750 1/4W 5%	1301401
4	D1, D2, D3, D4	DIODE, D664	1100114
1	D6	DIODE, ZENER IN746A	1104860
4	D5, D7, D8, D9	DIODE, IN4004	1105796
1	E2	I.C. DEC 74175	1910651
1	E9	I.C. DEC 7410	1905576
1	E4	I.C. DEC 7430	1905573
1	E8	I.C. DEC 7401	1905590
2	E6, E7	I.C. DEC 74123	1910436
1	E3	I.C. DEC 9318	1910454
1	E1	I.C. DEC 74174	1910652
1	E5	I.C. DEC 7414	1911324
2		EYELET	9006732
7		SPLIT LUG	9006735
2	J1, J2	FASTON TAB	9007112
1		HANDLE, FLIPCHIP, MAGENTA	9008337-06
2		EYELET	9009000
1	W2	*22 AWG BUS WIRE	9107560-01
1	C13	CAP. 4700µf 100V 5% DISC	1001383
1	R14	RES. 220 1/4W 5%	1300271
1	R18	RES. 33K 1/2W 5%	1301329

IC TYPE	GND	+ 5V
I.C. DEC 74175	8	16
I.C. DEC 74174	8	16
I.C. DEC 74123	8	16
I.C. DEC 9318	8	16

GND AND 5V ARE USUALLY PIN 7 AND 14 RESPECTIVELY. EXCEPTIONS ARE STATED ABOVE.

IC PIN LOCATIONS

FIRST USED ON OPTION MODEL

ETCH BOARD REV A B

CHK	CHANGE NO.	REV	REVISIONS

DRN: J. Vincent DATE: 3-23-74
 ENGR: [Signature] DATE: 4-1-74
 ENGR: [Signature] DATE: [Signature]
 PROD: [Signature] DATE: [Signature]
 NEXT HIGHER ASSY

digital EQUIPMENT CORPORATION
 MAINTENANCE SERVICE

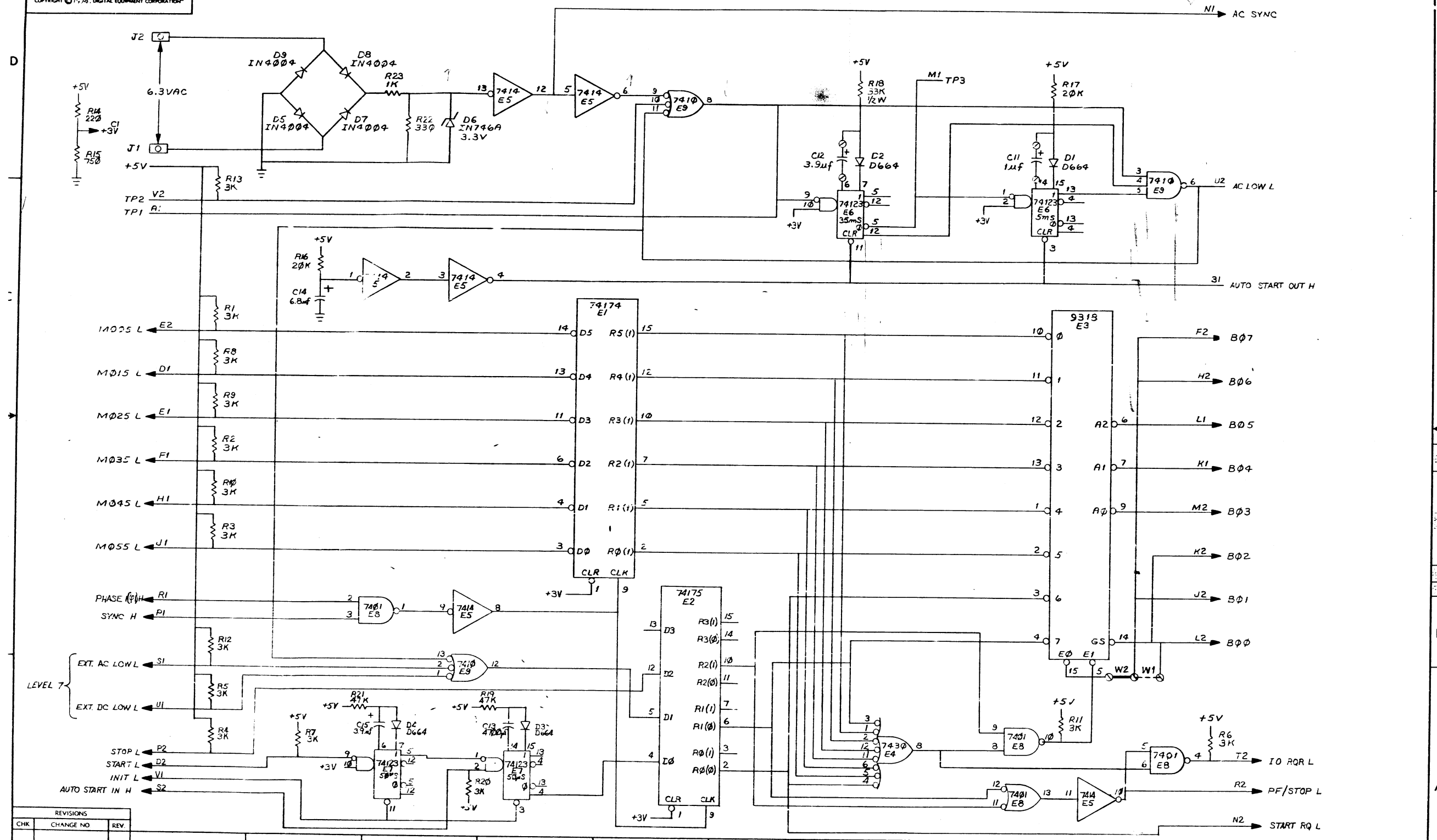
TITLE: POWER FAIL/ VECTORED EXT EVENT

SIZE CODE: DCS NUMBER: M7346-0-1 REV: A

SEMICONDUCTOR CONVERSION CHART

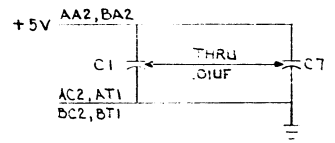
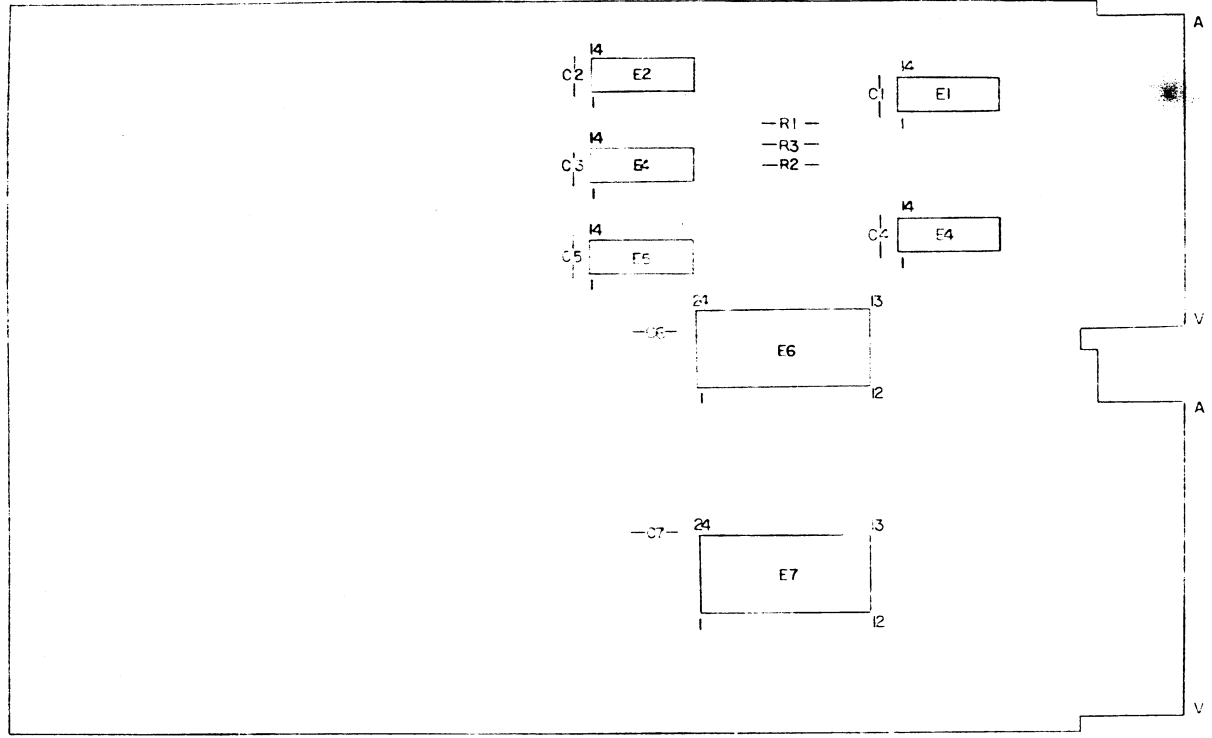
SHEET 1 OF 2

THIS DRAWING AND SPECIFICATIONS, HEREIN, ARE THE PROPERTY OF DIGITAL EQUIPMENT CORPORATION AND SHALL NOT BE REPRODUCED OR COPIED OR USED IN WHOLE OR IN PART AS THE BASIS FOR THE MANUFACTURE OR SALE OF ITEMS WITHOUT WRITTEN PERMISSION. COPYRIGHT © 1979, DIGITAL EQUIPMENT CORPORATION



REVISIONS		
CHK	CHANGE NO	REV.

This drawing and specifications, herein, are the property of Digital Equipment Corporation and shall not be reproduced or copied or used in whole or in part as the basis for the manufacture or sale of items without written permission.



QTY.	REF. DESIGNATION	DESCRIPTION	DEC PART NO.	ITEM NO.
		HANDLER, FLIP CHIP - MAGENTA	9008337-06	14
4		EYELET, HANDLE	9006732	13
1	R3	I.C. DEC 74C8	1910155	12
1	E2	I.C. DEC 7486	1910011	11
2	R6, E7	I.C. DEC 74154	1909701	10
2	R1, E4	I.C. DEC 304	1909486	9
1	E5	I.C. DEC 7400	1905575	8
3	R1, R2, R3	RES. 4.7K 1/4 W 5%	1300447	7
A/R		GRIPLET	1210244-0	6
7	C1 - C7	CAP. .01UF 100V 20% DISC	1001610	5
1		ETCHED CIRCUIT BOARD	5009873	4
		MODULE ECO HISTORY	B-MH-M7328-0-6	3
		ASSY/DRILLING HOLE LAYOUT	K-AH-M7328-0-5	2
		X-Y COORDINATE HOLE LOCATION	K-CO-M7328-0-4	1

QTY	REF DESIGNATION	DESCRIPTION	PART NO.	ITEM NO.
		PARTS LIST		

ETCH BOARD REV		A	
----------------	--	---	--

CHK CHANGE NO.	REV																			
	REVISIONS																			
	DRN	Power J.	DATE	21-Jan-72																
	CHK'D	Power J.	DATE	2-1-72																
ENG	Power J.	DATE	1/21/72																	
PROJ ENG	Power J.	DATE	12/1/72																	
PROD	Power J.	DATE	1-1-72																	
			NEXT HIGHER ASSY																	
										SCALE		SHEET 1 OF 2		DST.						

digital EQUIPMENT CORPORATION
MAYNARD, MASSACHUSETTS

TITLE
**PCS 16 EVOKE
DECOLPER**

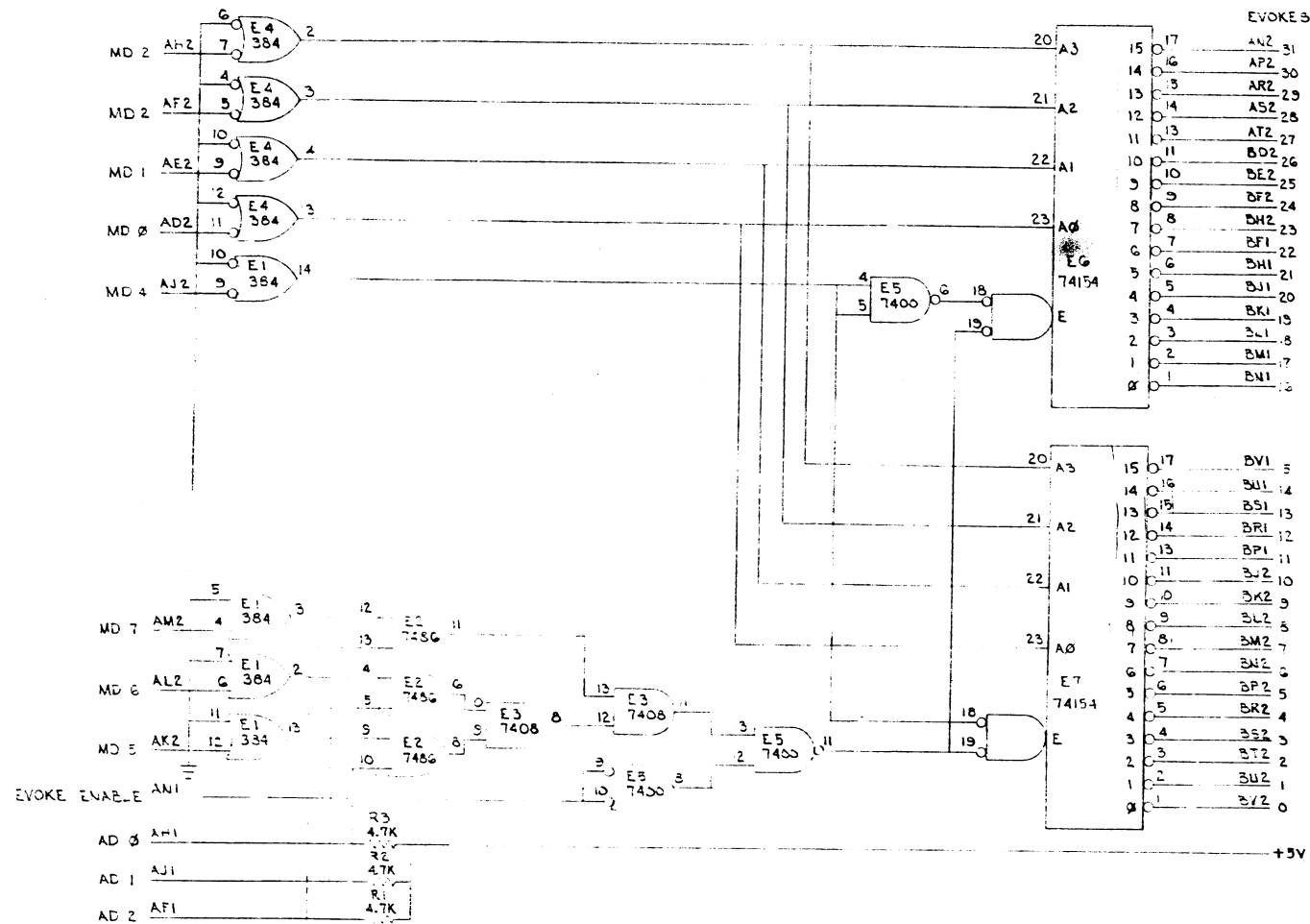
SIZE CODE
DICS

NUMBER
M7328-0-1

REV.
1

REV M7328-0-1

This drawing and specifications, herein, are the property of Digital Equipment Corporation and shall not be reproduced or copied or used in whole or in part in the form for the manufacture or sale of items without written permission.



UNLESS OTHERWISE INDICATED:
 RESISTORS ARE 1/4W, 5%
 PIN 24 = +5V, PIN 1 = GND ON DEC 74154
 PIN 6 = +5V, PIN 1 = GND ON DEC 384
 PIN 14 = +5V, PIN 7 = GND ON ALL OTHER IC'S

QTY	REF DESIGNATION	DESCRIPTION	PART NO.	ITEM NO.
PARTS LIST				
ETCH BOARD REV A				
DRN	2/2/72	DATE	digital EQUIPMENT CORPORATION MAYNARD, MASSACHUSETTS	
CHKD	2-1-72	DATE	TITLE PCS 16 EVOKE DECODER	
APP	2/2/72	DATE	SIZE CODE NUMBER REV. DCS M7328-0-1	
PROL ENG	2/1/72	DATE	SCALE SHEET 2 OF 2	
PROD	2/1/72	DATE	NEXT HIGHER ASSY	
DEC NO.		EIA NO.		SEMICONDUCTOR CONVERSION CHART

REV M7328-0-1